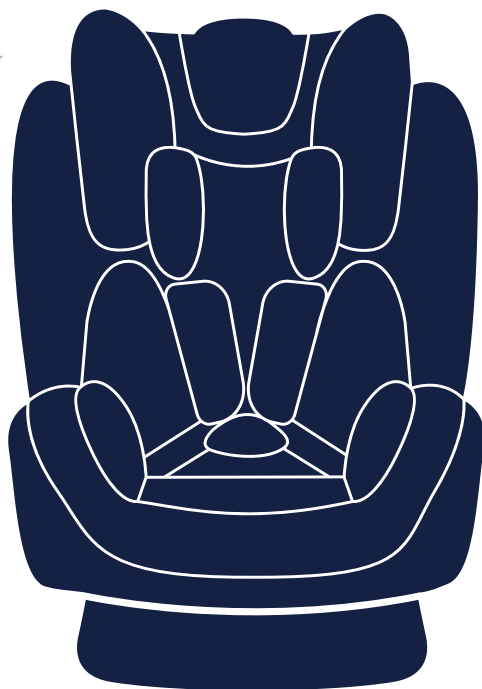
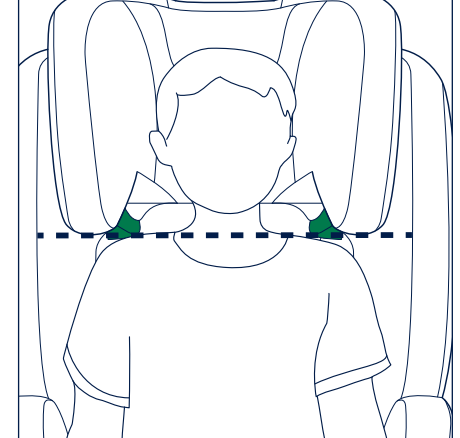
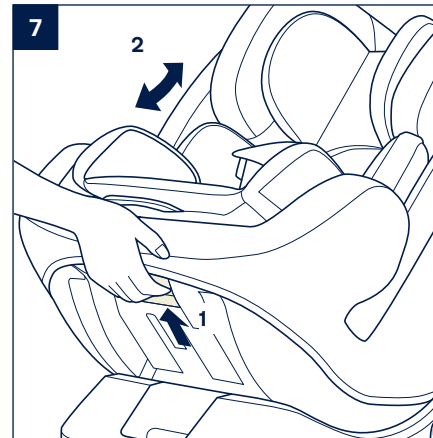
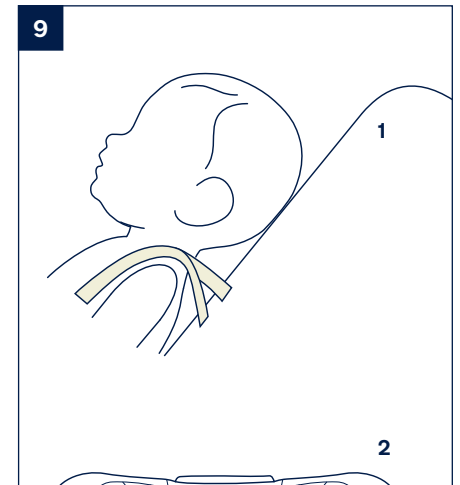
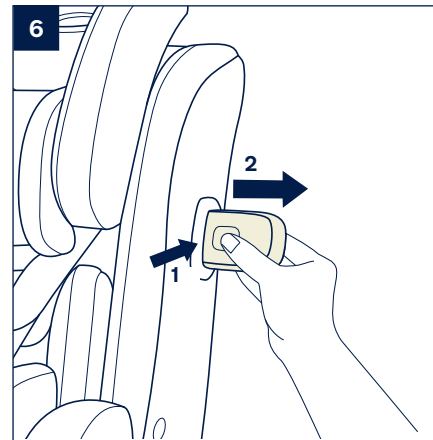
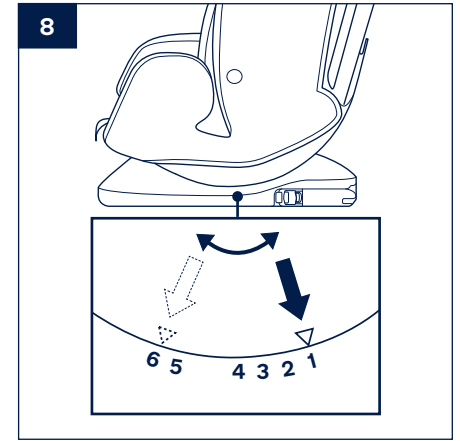
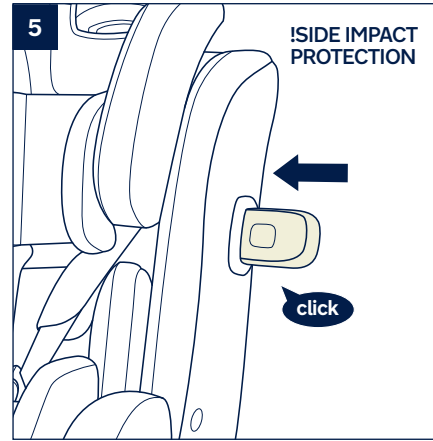
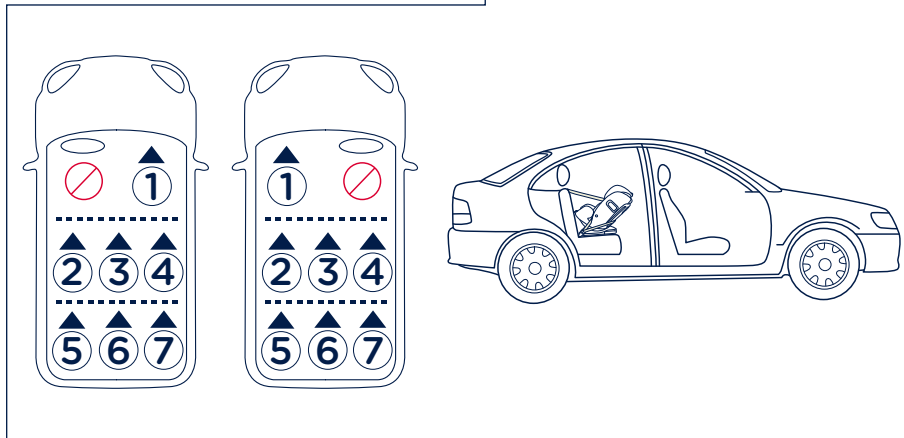
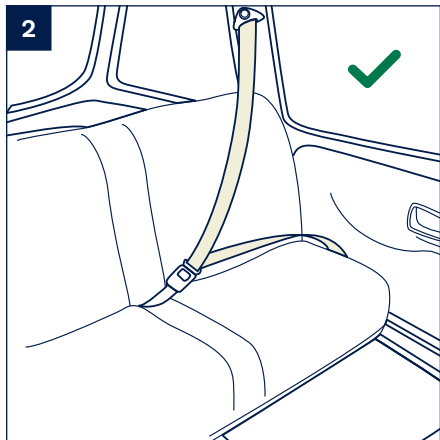
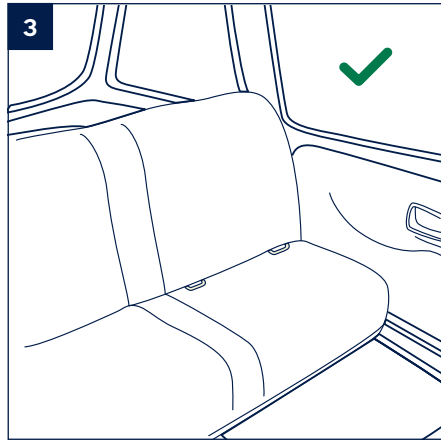
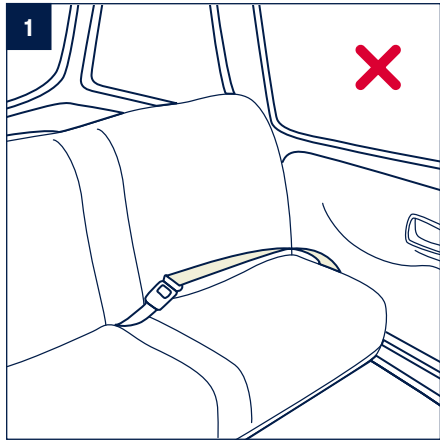


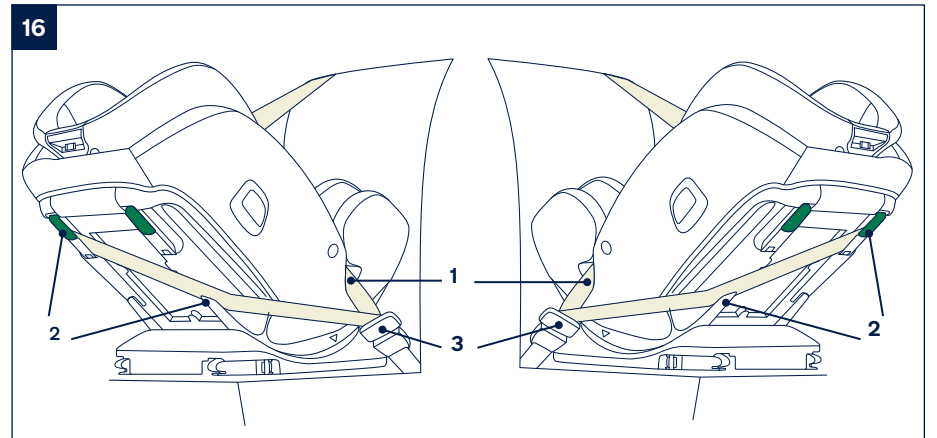
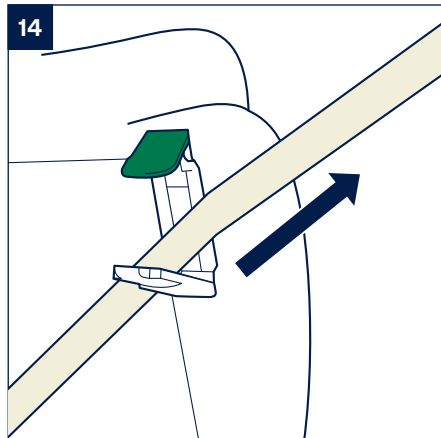
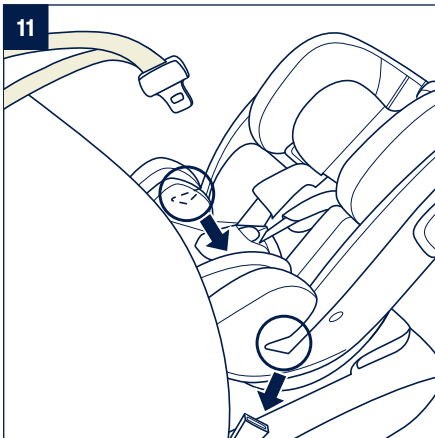
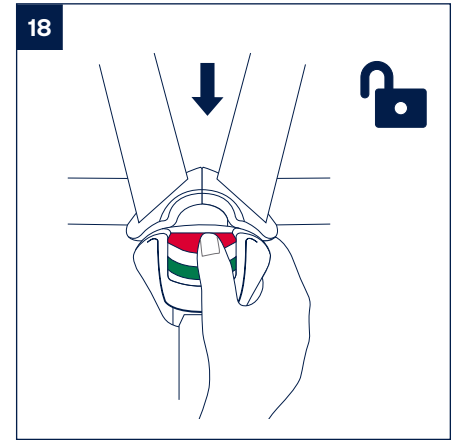
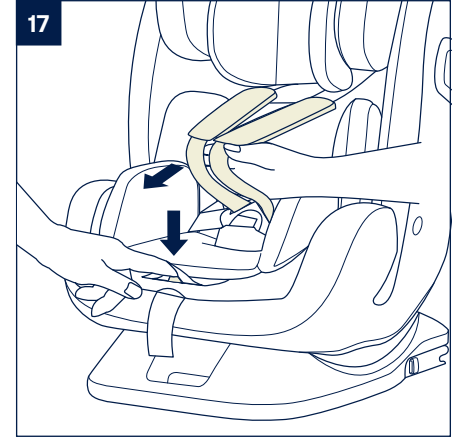
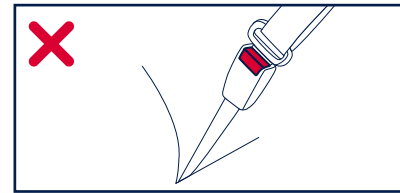
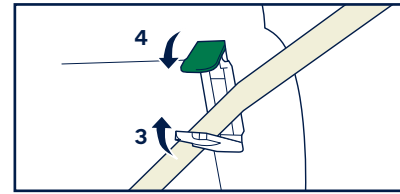
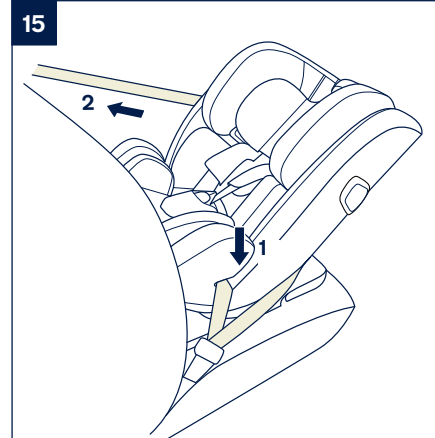
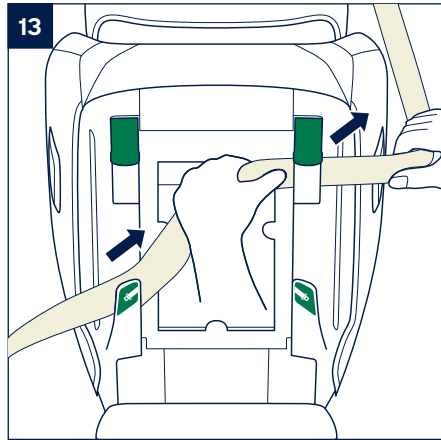
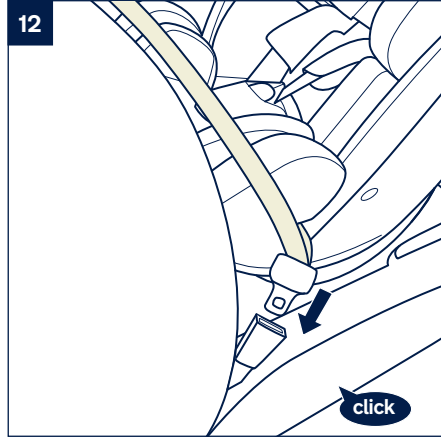
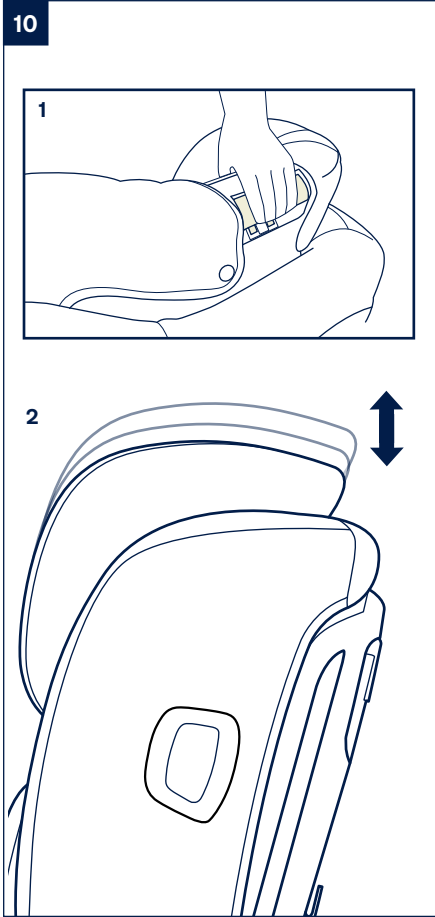
tresTM lx

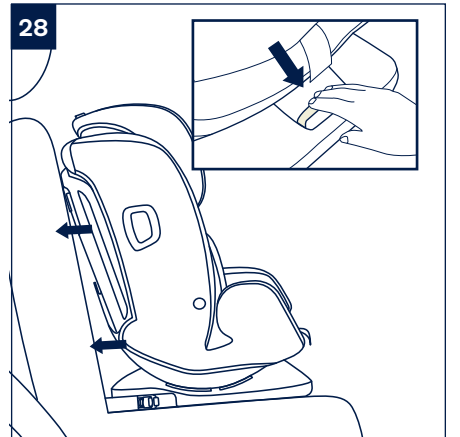
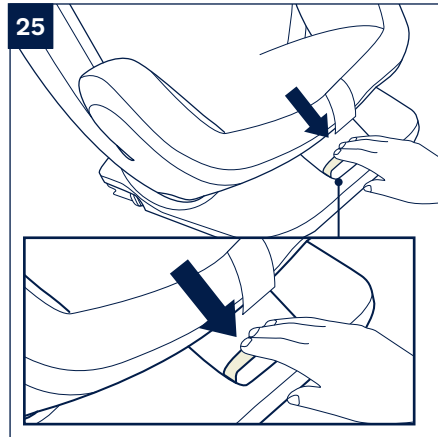
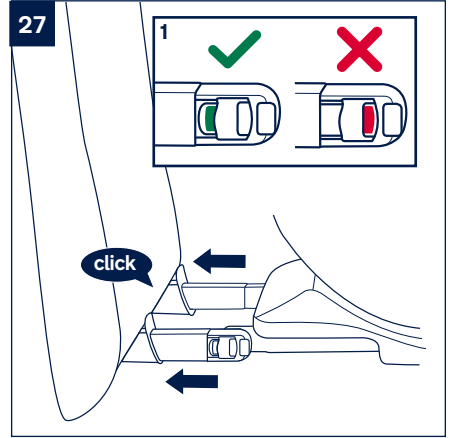
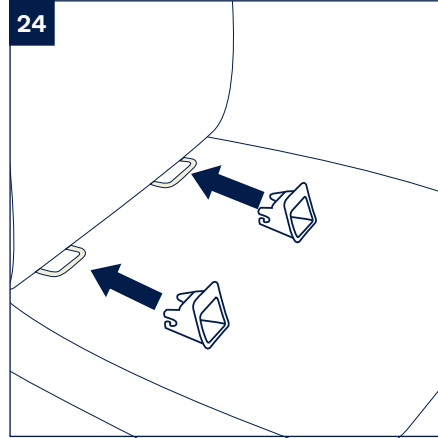
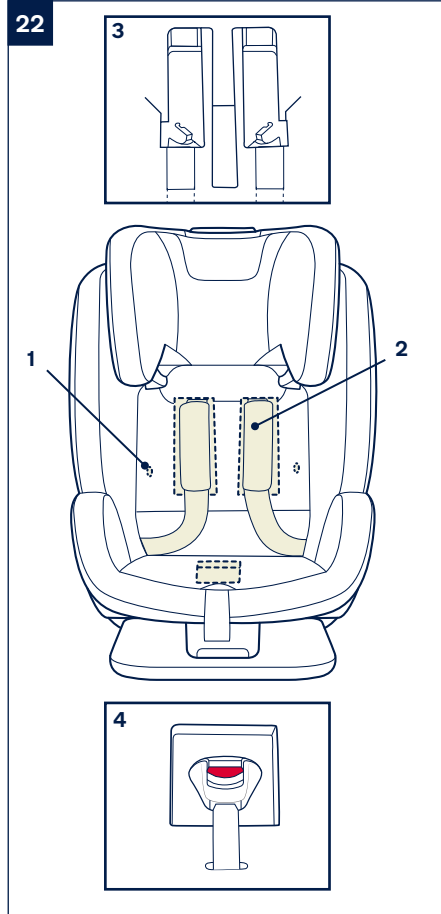
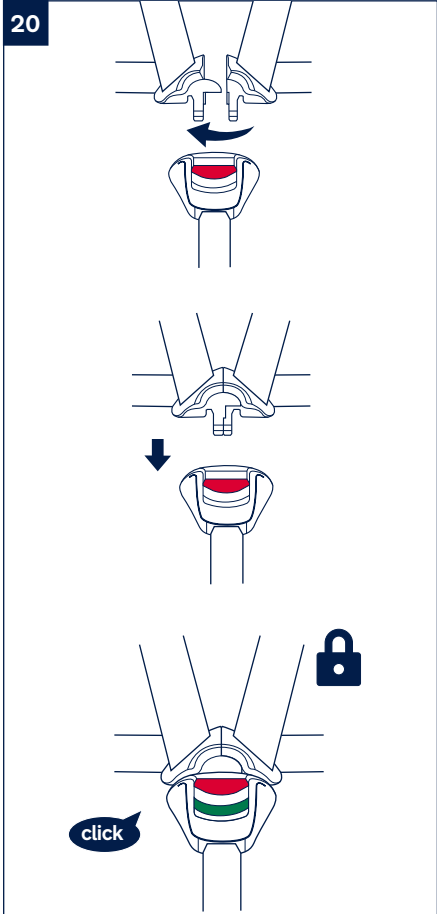
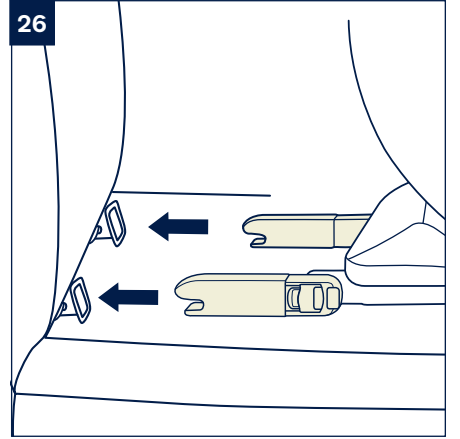
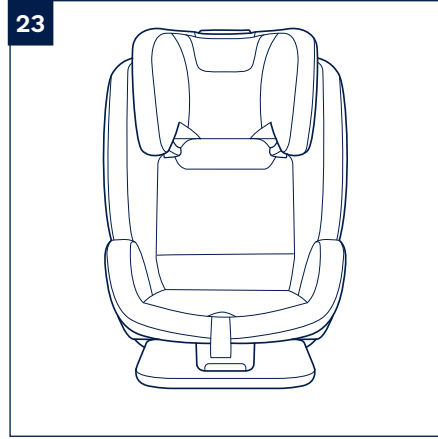
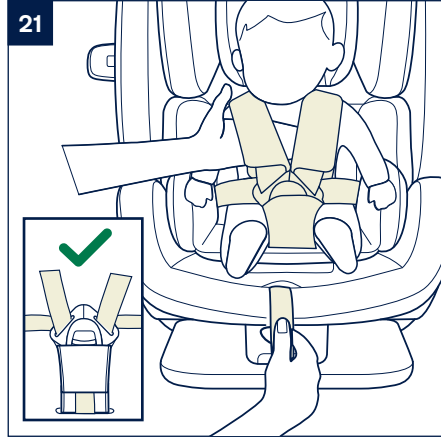
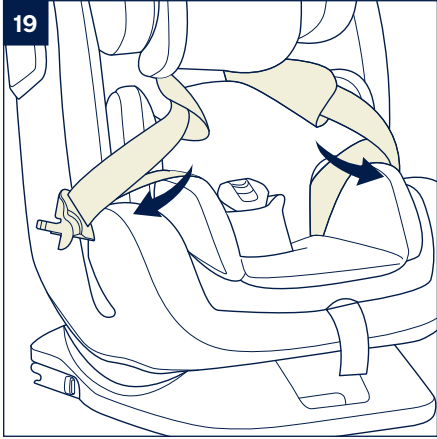


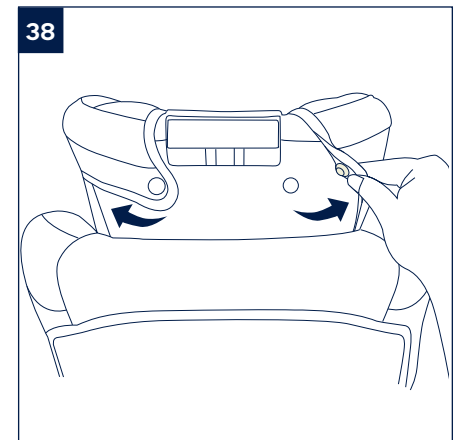
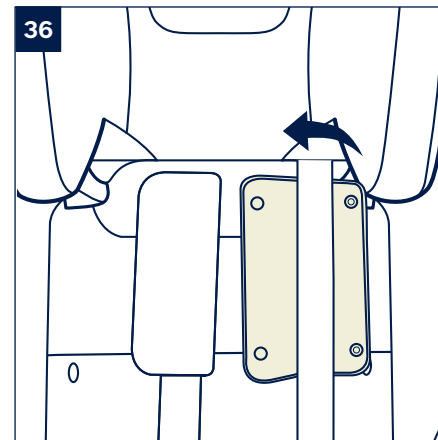
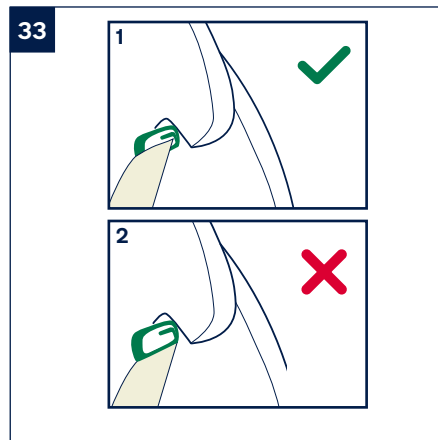
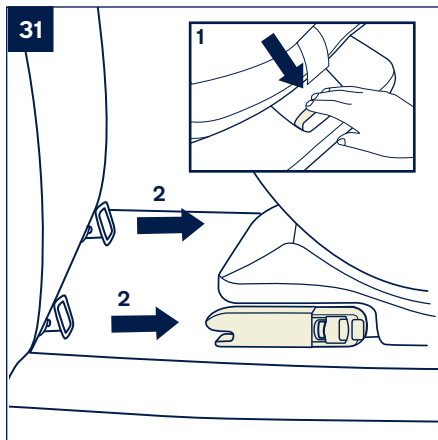
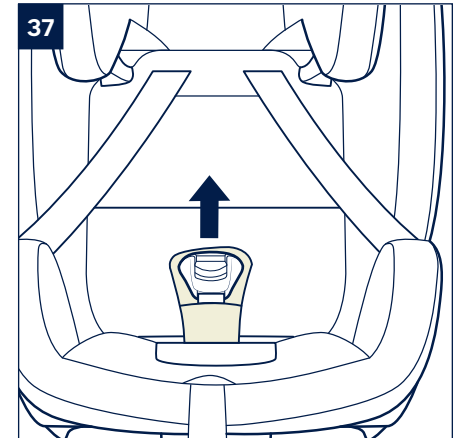
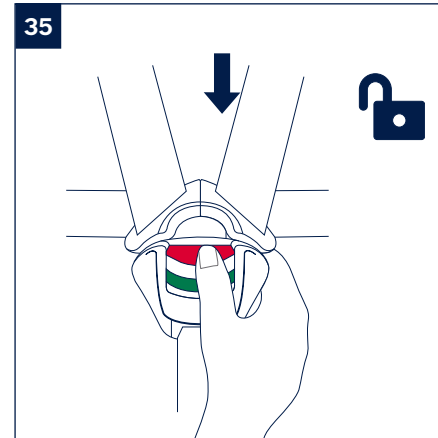
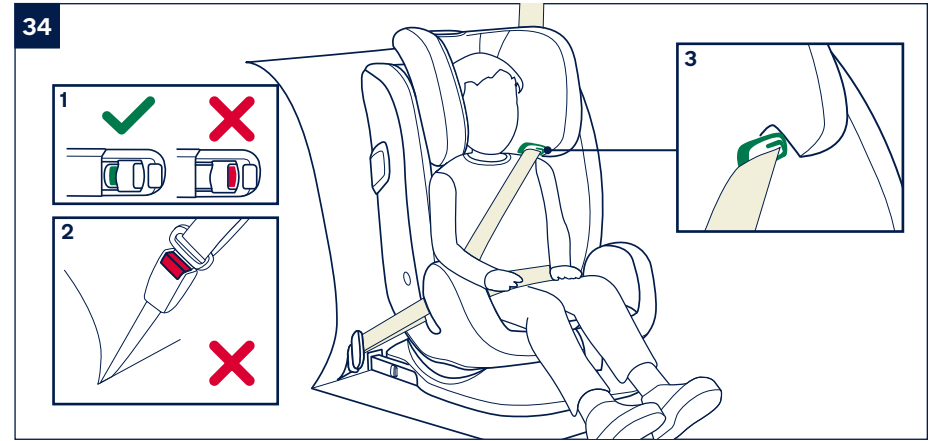
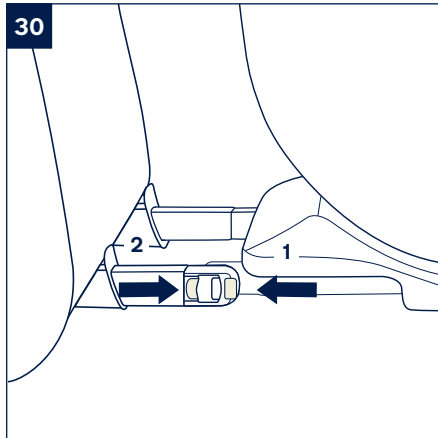
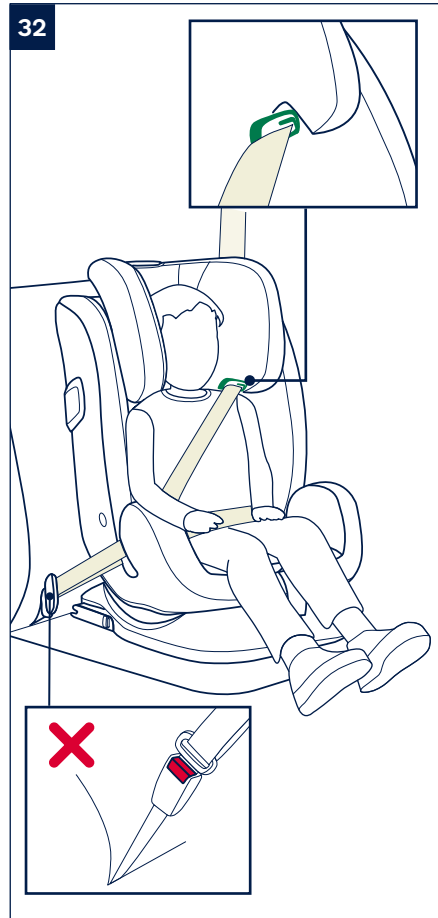
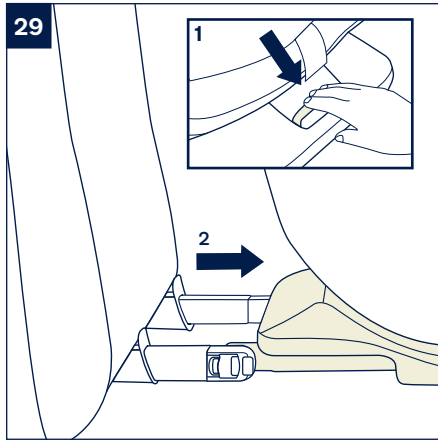
nuna[®]

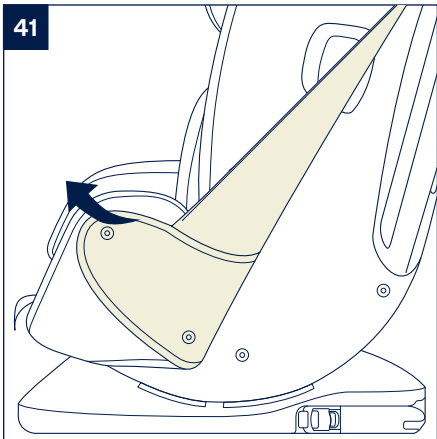
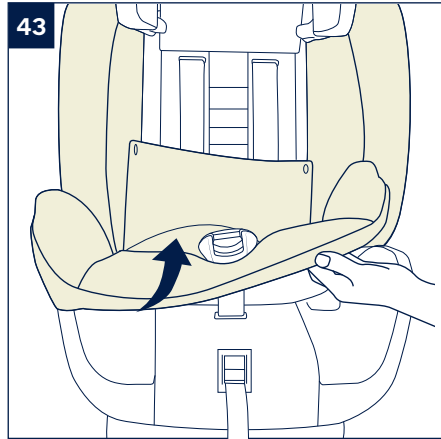
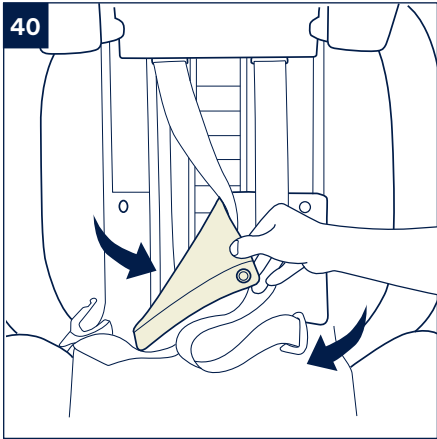
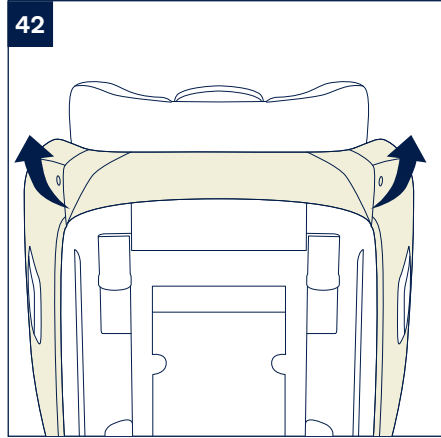
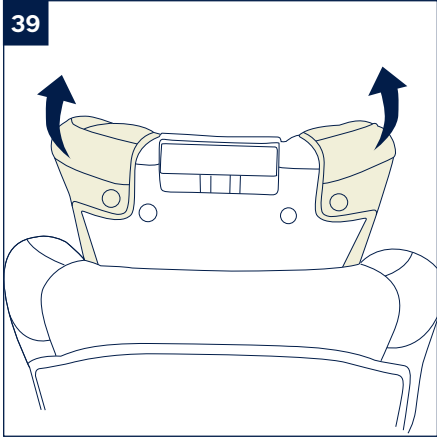
IMPORTANT!
KEEP THESE INSTRUCTIONS FOR
FUTURE REFERENCE:
READ CAREFULLY











Designed
around your life



Contents

Product information	3
Product Registration	
Warranty	
Contact	
Child Usage Requirements	4
Parts List	5
Warning	6
Product Set Up	7
Product Use	7
Detach and Assemble Soft Goods	11
Cleaning and Maintenance	11
Français (FR)	13
Deutsch (DE)	25
Nederlands (NL)	37
Italiano (IT)	49
Español (ES)	61
Português (PT)	73
Polski (PL)	85
Česky (CZ)	97
Slovenčina (SK)	109
Hrvatski (HR)	121
Slovenščina (SL)	133
Русский (RU)	145
Norsk (NO)	157
Svenska (SV)	169
Suomi (FI)	181
Dansk (DK)	193
Română (RO)	205
Ελληνικά (EL)	217
Türkçe (TR)	229
العربية (AR)	٢٤٢

Product Information

Model Number: _____

Manufactured in (date): _____

Product Registration

Please fill in the above information. The model number and the manufactured in date are located on the back of the TRES lx.

To register your product please visit:

www.nunababy.com

Click the “Register Gear” link on the homepage.

Warranty

We have purposely designed our high-quality products so that they can grow with both your child and your family. Because we stand by our product, our gear is covered by a custom warranty per product, starting from the day it was purchased. Please have the proof of purchase, model number and manufactured in date available when you contact us.

For warranty information please visit:

www.nunababy.com

Click the “Warranty” link on the homepage.

Contact

For replacement parts, service, or additional warranty questions, please contact our customer service department.

info@nunababy.com

www.nunababy.com

In the United Kingdom:

infouk@nunababy.com

www.nunababy.com

NUNA International B.V.

Van der Valk Boumanweg 178 C

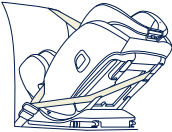
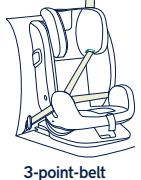

2352JD Leiderdorp

The Netherlands

Child Usage Requirements

This product is suitable for use with children who meet the following requirements:

! IMPORTANT - DO NOT USE FORWARD FACING BEFORE THE CHILD'S AGE EXCEEDS 15 MONTHS (Refer to instructions)

Child's Size	Installation Mode	Figure for Installation	Reference Age	Seat Position	Infant Insert Instructions
40cm-105cm/ ≤22kg	Rearward Facing Mode	 3-point-belt	<4 years	Position 5-6	We recommend using the full infant insert while the baby is under 60cm and can be used until they outgrow the insert. The infant insert increases side impact protection.
100cm-145cm/ 15-36kg	Forward Facing Mode	 3-point-belt or  3-point-belt and ISO Connector™	3 years to 12 years	Position 1-4	Remove infant insert and store harness in proper storage locations

Rearward Facing Mode

For installation with 3-point-belt

- 1 - This is an Universal Belted Enhanced Child Restraint System. It is approved according to UN Regulation No. 129, for use primarily in “Universal seating positions” as indicated by vehicle manufacturers in the vehicle user’s manual.
- 2 - If in doubt, consult either the Enhanced Child Restraint System manufacturer or the retailer.

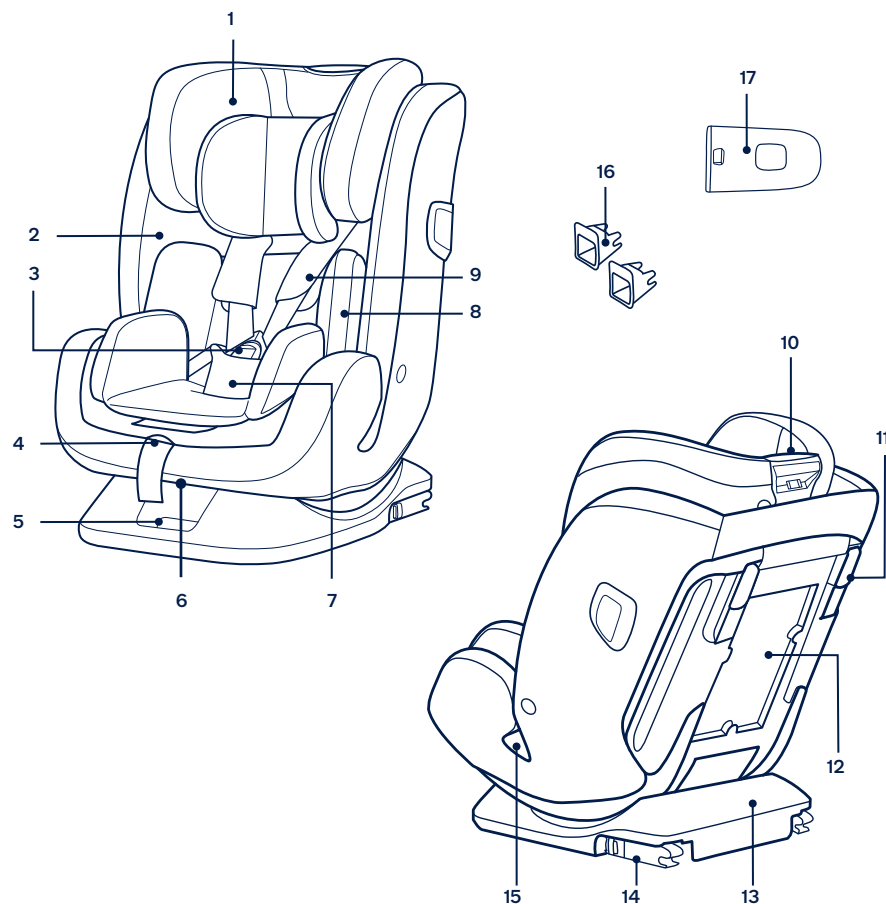
Forward Facing Mode

For installation with 3-point-belt or 3-point-belt and ISO Connector™

- 1 - This is an i-Size booster seat Enhanced Child Restraint System. It is approved according to UN Regulation No.129, for use primarily in “i-Size seating positions” as indicated by vehicle manufacturers in the vehicle user’s manual.
- 2 - If in doubt, consult either the Enhanced Child Restraint System manufacturer or the retailer.
- 3 - When the applicable height is 135cm-145cm, it belongs to “Specific vehicle booster seat”.

Parts List

- | | | | |
|---|--------------------------------|----|--|
| 1 | Head Support | 10 | Head Support Adjustment Lever |
| 2 | Seat Pad | 11 | Lock-off |
| 3 | Buckle | 12 | Instruction Manual Storage Compartment |
| 4 | Webbing Adjuster | 13 | Base |
| 5 | ISO Connector™ Adjuster Button | 14 | ISOFIX attachment (ISO Connector™) |
| 6 | Recline Adjustment Handle | 15 | Vehicle Lap Belt Slots |
| 7 | Crotch Harness Cover | 16 | ISO Connector™ Guides |
| 8 | Infant Insert | 17 | Side Impact Shield |
| 9 | Shoulder Harness Covers | | |



⚠ WARNING

DO BE cautious that the rigid items and plastic parts of the enhanced child restraint system shall be so located and installed that they are not liable to become trapped by a movable seat or in the door of the vehicle.

DO NOT use the rearward facing enhanced child restraint systems in seating positions where there is an active frontal airbag installed.

To use this enhanced child restraint according to the UN Regulation No.129, your child must meet the following requirements.

Rearward Facing:

Child height 40cm-105cm/ child weight max. 22 kg;

Forward Facing:

Child height 100cm-145cm

IMPORTANT - DO NOT USE FORWARD FACING BEFORE THE CHILD'S AGE EXCEEDS 15 MONTHS (Refer to instructions).

When used for stature heights between 135cm and 145cm (Booster seat) might not fit in all vehicles, due to a low position of the vehicle roof at the side.

The enhanced child restraint may not fit in all approved vehicles when used in one of these positions.

Any straps holding the enhanced child restraint to the vehicle should be tight. Any straps restraining the child should be adjusted to the child's body, and straps should not be twisted.

DO NOT use any load bearing contact points other than those described in the instructions and marked on the enhanced child restraint.

After your child is placed in this enhanced child restraint, the safety belt must be used correctly. Ensure that any lap strap is worn low down, so that the pelvis is firmly engaged, shall be stressed.

This enhanced child restraint should be replaced when it has been subject to violent stresses in an accident. An accident can cause damage to it that you cannot see.

Consider the danger of making any alterations or additions to the device without approval of the adequate authority, and the danger of not following closely to the installation instructions provided by the enhanced child restraint manufacturer.

Please keep this enhanced child restraint away from sunlight, otherwise it may be too hot for child's skin. Always touch the enhanced child restraint before placing child in it.

DO NOT leave your child unattended in the enhanced child restraint system.

Any luggage or other objects liable to cause injuries in the event of a collision shall be properly secured.

The enhanced child restraint system shall **NOT BE USED** without the soft goods.

The soft goods should not be replaced with any other than the one recommended by the manufacturer, because the soft goods constitutes an integral part of the restraint performance.

Please check if this enhanced child restraint can be installed properly in your vehicle before you purchase it.

NO enhanced child restraint can guarantee full protection from injury in an accident. However, proper use of this enhanced child restraint will reduce the risk of serious injury or death to your child.

DO NOT install this enhanced child restraint without following the instructions in this manual or you may put your child at serious risk of injury or death.

DO NOT use this enhanced child restraint if it has damaged or missing parts.

DO NOT have your child in large/oversized clothes because this may prevent your child from being properly and securely fastened by the shoulder harness straps and the crotch strap between the legs.

Product Set Up

Installation Concerns

DO NOT install this enhanced child restraint on vehicle seats with lap belts only. **(1)**

This enhanced child restraint is suitable for vehicle seats with a 3-point retractor safety belt. **(2)** If your vehicle has ISOFIX anchor points, we recommend that you connect the ISO Connector™ attachment to the ISOFIX anchor points (Forward Facing Mode). **(3)**

DO NOT use the rearward facing system on the passenger seat with activated frontal airbag. **(4)** Death or serious injury may occur. Please reference vehicle owner's manual for more information.

DO NOT install this enhanced child restraint on vehicle seats that face sideways or rearward with respect to the moving direction of the vehicle.

Please refer to your vehicle owner's manual for recommended or suggested installation positions.

This enhanced child restraint must be installed in the rear vehicle seat. **(4)**

DO NOT install this on movable vehicle seats during installation.

Product Use

Use Side Impact Shield

- 1 - The enhanced child restraint is delivered with detachable side impact shield. This side impact shield must be used on the door side of the vehicle for best protection. It must be connected on the outside of the enhanced child restraint. Installation shown in fig **(5)**.
- 2 - Press the release button to remove side impact shield. **(6)**

Recline Adjustment

- 1 - Press the recline adjustment handle, and adjust the enhanced child restraint to the proper position. **(7)**
- 2 - The recline angles are shown as **(8)**.
 - ! There are two recline angles 5-6 for rearward facing mode.
 - ! There are four recline angles 1-4 for forward facing mode.

Align the top reclining indicator with the bottom numbers for the desired recline position.

Height Adjustment for Head Support and Shoulder Harnesses

Please adjust the head support and shoulder harnesses to proper height according to the child's height.

- ! When used in rearward facing mode, the shoulder harness slots must be even with or just below the child's shoulders. **(9)-1**
- If the shoulder harnesses are not at proper height, the child may be thrown from the enhanced child restraint in case of an accident.
- ! When used in forward facing mode, the shoulder belt guides must be even with or just above the child's shoulders. **(9)-2**

Squeeze the head support adjustment lever **(10)-1**, meanwhile pull up or push down the head support until it clicks into one of the 10 positions.

The head support positions are shown as **(10)-2**.

- ! As the headrest is adjusted up (from 6th-9th position), the sides of the child restraint automatically move outward to provide more shoulder room.

Rearward Facing Mode

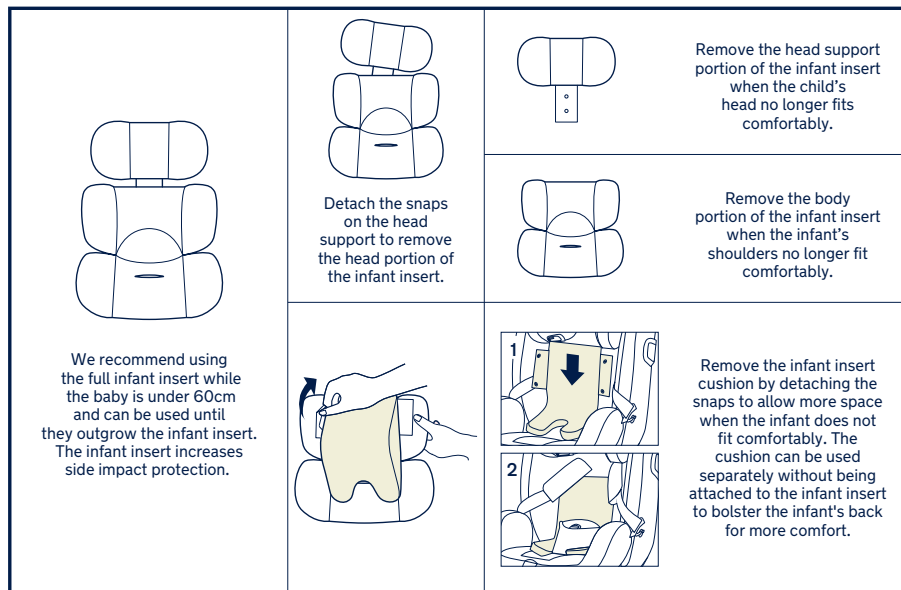
(Child height 40cm-105cm/ Child weight ≤ 22kg)

- ! Please install the enhanced child restraint on the rear vehicle seat, and then put the child in the enhanced child restraint.

Installation for Rearward Facing Mode

- ! Please adjust the enhanced child restraint to the desired recline position (2 positions for rearward facing mode). Align the top reclining indicator with one of the bottom white numbers.
 - ! Make sure the shoulder harness is adjusted to proper height before installing this enhanced child restraint.
 - ! When installing and adjusting the safety belts, make sure that both the shoulder belt and the lap belt are not twisted and will not stop the safety belts from functioning properly.
- 1 - Pass the vehicle lap belt through the vehicle lap belt slots, then engage the vehicle buckle tongue into the buckle. **(11)(12)**
 - ! Vehicle lap belt must pass underneath infant insert.
 - 2 - Pass the vehicle shoulder belt through the two rear-facing vehicle belt slots at the back of the enhanced child restraint. **(13)**
 - ! Open the belt lock off and insert the shoulder belt through it. **(14)**
 - ! Ensure the belt lock off is completely closed when not in use to prevent injury, or damage to vehicle upholstery.
 - 3 - Press the enhanced child restraint down firmly and pull the vehicle shoulder belt to fasten the enhanced child restraint securely. **(15)-1(15)-2**
 - ! Ensure to close the lock-off after checking the enhanced child restraint is securely fastened. **(15)-3(15)-4**
 - ! Keep your fingers off when closing the lock-off clips to avoid injury.
 - ! The enhanced child restraint can not be used if the vehicle safety belt buckle (female buckle end) is too long to anchor the enhanced child restraint securely.
 - ! Double check that the enhanced child restraint is securely installed and does not move on the vehicle seat.
- Correctly assembled vehicle belt is shown as **(16)**
- Ensure that the vehicle lap belt passes through the vehicle lap belt slot. **(16)-1**
 - ! Ensure that the vehicle shoulder belt passes through the rear-facing vehicle belt slot. **(16)-2**
 - ! The vehicle buckle tongue is engaged with the buckle correctly, as **(16)-3**.

Securing your Child in the Enhanced child restraint Use infant insert



- 1 - While pressing the harness adjustment button, pull completely the two shoulder harnesses of the enhanced child restraint. (17)
 - 2 - Press the button to disengage the buckle. (18)
 - 3 - Place the buckle tongues against the magnetic area on the outer side of the child restraint so that the tongues are held in place. (19)
 - 4 - Engage the buckle.
The green indicator shows that it has been buckled in place. (20)
 - 5 - Pull the adjustment webbing toward you to adjust it to the proper length and make sure your child is snugly secured. (21)
- ! After the child is seated, recheck whether the shoulder harnesses are at the proper height.
 - ! Always keep child secured in harness and properly tightened by removing any slack.

Forward Facing Mode

(Child height 100cm-145cm)

Installation for Forward Facing Mode

- ! When using in the forward facing mode, please remove the infant insert, and place the shoulder harness straps, buckle and buckle tongues in the harness hideaway storage compartments.
- ! Please adjust the shoulder harnesses to proper length before storing the shoulder straps and buckle in their storage compartments.
- ! Please adjust the enhanced child restraint to the desired recline position. (4 positions for forward facing mode). Align the top reclining indicator with one of the bottom white numbers.
- ! While using and adjusting the vehicle seat belt, check that there are no twists in the vehicle seat belt that could cause your child fastened incorrectly.

- 1 - Press the button to disengage the buckle as (18).
- 2 - Remove Crotch Strap as shown in (37) and then the infant insert.
! When installing the enhanced child restraint in the forward facing mode, do not use the infant insert.
- 3 - Detach the snaps. (22)-1
- 4 - Lift the upper flap upward and pull the lower flap forward, and then store the shoulder straps in their storage compartments. (22)-2
- 5 - Pull the buckle to the back of the seat pad, and then store the buckle and buckle tongues in respective storage compartments. (22)-3 (22)-4
- 6 - Reattach the snaps to recover the seat pad. The recovered seat pad is shown as (23).

Installing ISO Connector™ attachments

- 1 - Insert ISO Connector™ attachment guides to assist with installation. The ISO Connector™ attachment guides can protect the surface of the vehicle seat from being torn. (24)
- 2 - Extend the ISO Connector™ attachments by pressing the adjustment button (25) and pulling out the attachments. (26)
! Make sure that both ISO Connector™ attachments are securely attached to their ISOFIX anchor points. The colors of the indicators on both ISO Connector™ attachments should be completely green. (27)
! The ISO Connector™ attachments must be attached and locked onto the ISOFIX anchor points.
! Check to make sure the enhanced child restraint is securely installed by pulling on the both ISO Connector™ attachments.
- 3 - Press the ISO Connector™ adjustment button and push the enhanced child restraint back against the vehicle seat until tight. (28)

Removing and storing ISO Connector™ attachments

- 1 - To remove from the vehicle, press the ISO Connector™ adjustment button (29)-1 and pull the base away from the seat. (29)-2
- 2 - To release the ISO connectors from the vehicle's ISOFIX anchor points, press and hold the front button (30-1), while you press the back one (30-2).
- 3 - To retract the ISO Connector™ attachments into the base press the ISO Connector™ adjustment button. (31)

Securing the child in the child restraint system

- 1 - Please check whether the vehicle shoulder belt guides are at proper height when the child is in the enhanced child restraint.
- 2 - Position the shoulder belt through the shoulder belt guide and pass the lap belt through the vehicle lap belt slots. Engage the vehicle buckle and pull the vehicle belt to make sure it is tightened. (32)(33)
! Shoulder belt must pass through shoulder belt guide.
! Lap belt must pass through lap belt slots.
! NEVER use a 2-point vehicle belt (lap-belt only) to secure your child.
! DO NOT use shoulder belt loose or positioned under arm.
! DO NOT use shoulder belt behind child's back.
! DO NOT allow child to slide down in the enhanced child restraint in case of strangulation.

With vehicle belt (3-point belt) and ISO Connector™

- 1 - Installing ISO Connector™ attachments is showing in fig (24) - (28).
- 2 - Place the child in the enhanced child restraint and check whether the shoulder belt guides are at proper height.
- 3 - Position the shoulder belt through the shoulder belt guide and pass the lap belt through the vehicle lap belt slots. Engage the vehicle buckle and pull the vehicle belt to make sure it is tightened. (32)(33)
- 4 - Correctly assembled 3-point-belt and ISO Connector™ attachment is shown as (34).
 - ! Make sure that both ISO Connector™ attachments are securely attached to the vehicle's ISOFIX anchor points. The colors of the indicators on both ISO Connector™ attachments should be completely green. (34)-1
 - ! Check to make sure the enhanced child restraint is securely installed by pulling on both ISO Connector™ attachments.
 - ! Shoulder belt must pass through shoulder belt guide. (34)-3
 - ! Lap belt must pass through lap belt guides.
 - ! The enhanced child restraint can not be used if the vehicle safety belt buckle (female buckle end) is too long to anchor the enhanced child restraint securely. (34)-2
 - ! NEVER use a 2-point vehicle belt (lap-belt only) to secure your child.
 - ! DO NOT use shoulder belt loose or positioned under arm.
 - ! DO NOT use shoulder belt behind child's back.
 - ! DO NOT allow child to slide down in the enhanced child restraint in case of strangulation.

Detach and Assemble Soft Goods

See images (35) - (43)

To assemble soft goods, reverse the steps above.

Cleaning and Maintenance

Please store it somewhere that the child can not access it.

Please wash the soft goods with cold water under 30°C.

DO NOT iron the soft goods.

DO NOT bleach or dry clean the soft goods.

DO NOT use undiluted neutral detergent, gasoline or other organic solvent to wash the enhanced child restraint. It may cause damage to the enhanced child restraint.

DO NOT twist the soft goods to dry with great force. It may leave the soft goods with wrinkles.

Please hang dry the soft goods in the shade.

Please remove the enhanced child restraint from the vehicle seat if not in use for a long period of time.

IMPORTANT !
CONSERVEZ CES INSTRUCTIONS
POUR RÉFÉRENCE ULTÉRIEURE :
LIRE ATTENTIVEMENT

Sommaire

Informations sur le produit	15
Enregistrement du produit	
Garantie	
Contact	
Conditions d'utilisation avec un enfant	16
Liste des pièces	17
Avertissement	18
Installation du produit	19
Utilisation du produit	19
Détacher et assembler les parties souples	23
Nettoyage et maintenance	23

Informations sur le produit

Numéro de modèle : _____

Fabrication (date) : _____

Enregistrement du produit

Veillez fournir les informations ci-dessus. Le numéro de modèle et la date de fabrication se trouvent au dos du TRES lx.

Pour enregistrer votre produit, veuillez vous rendre sur le site suivant :

www.nunababy.com

Cliquez sur le lien « Enregistrer un équipement » dans la page d'accueil.

Garantie

Nous avons conçu spécialement nos produits de haute qualité afin qu'ils puissent accompagner le développement de votre enfant et de votre famille. Nous soutenons notre produit en couvrant notre matériel par une garantie personnalisée, commençant le jour de son achat. Ayez la preuve d'achat, le numéro de modèle et la date de fabrication à disposition lorsque vous nous contactez.

Pour des informations sur la garantie, veuillez visiter :

www.nunababy.com

Cliquez sur le lien « Garantie » dans la page d'accueil

Contact

Pour des informations sur les pièces de rechange, le service ou des questions supplémentaires sur la garantie, veuillez contacter notre service client.

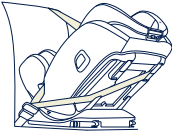

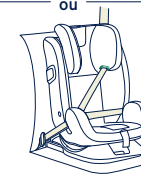
info@nunababy.com

www.nunababy.com

Conditions d'utilisation avec un enfant

Ce produit est adapté aux enfants répondant aux exigences suivantes :

! IMPORTANT - NE PAS UTILISER FACE À LA ROUTE AVANT QUE L'ÂGE DE L'ENFANT ATTEIGNE 15 MOIS (voir les instructions)

Taille de l'enfant	Mode d'installation	Illustration pour l'installation	Âge de référence	Position du siège	Instructions pour support pour bébé
40 cm-105 cm/ ≤ 22kg	Mode face à l'arrière	 Ceinture à 3 points	<4 ans	Position 5-6	Nous conseillons d'utiliser support pour bébé lorsque le bébé mesure moins de 60 cm ou lorsqu'il dépasse de l'insert. Support pour bébé augmente la protection contre les impacts latéraux.
100cm-145cm/ 15-36kg	Mode face à l'avant	 Ceinture à 3 points ou  Ceinture à 3 points et ISO Connector™	3 à 12 ans	Position 1-4	Retirez support pour bébé et rangez le harnais dans un endroit approprié.

Mode face à l'arrière

Pour l'installation avec une ceinture à 3 points

- 1 - Il s'agit d'un dispositif de retenue pour enfants amélioré avec ceinture universelle. Il est approuvé conformément à la réglementation UN No.129 pour une utilisation principalement dans des « positions de sièges universelles » comme indiqué par le constructeur du véhicule dans le manuel de l'utilisateur du véhicule.
- 2 - En cas de doute, consultez le fabricant du dispositif de retenue pour enfants amélioré ou le distributeur.

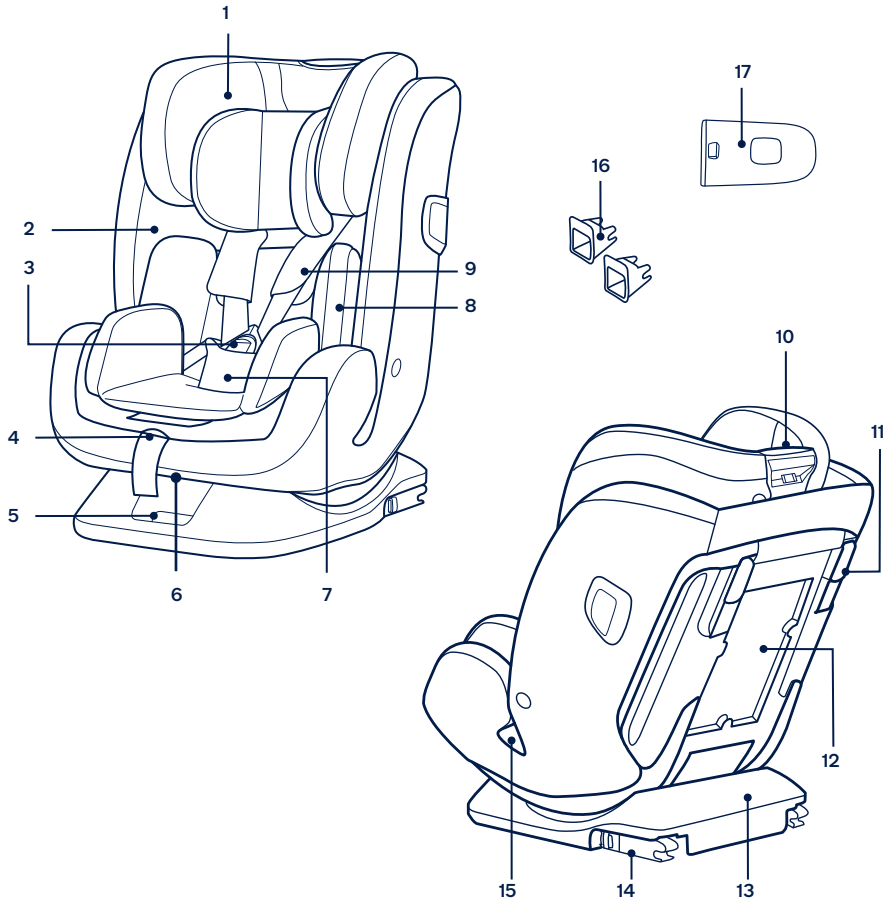
Mode face à l'avant

Pour l'installation avec une ceinture à 3 points ou une ceinture à 3 points et le ISO Connector™

- 1 - Il s'agit d'un dispositif de retenue pour enfants amélioré avec un réhausseur i-Size. Il est approuvé conformément à la réglementation UN No.129 pour une utilisation principalement dans des « positions de sièges i-Size » comme indiqué par le constructeur du véhicule dans le manuel de l'utilisateur du véhicule.
- 2 - En cas de doute, consultez le fabricant du dispositif de retenue pour enfants amélioré ou le distributeur.
- 3 - Lorsque la hauteur applicable est de 135 cm à 145 cm, il appartient à la catégorie des « Sièges d'appoint spécifique au véhicule ».

Liste des pièces

- | | |
|---------------------------------------|---|
| 1 Support de tête | 10 Levier de réglage du support de tête |
| 2 Assise de siège | 11 Verrouillage |
| 3 Boucle | 12 Compartiment de rangement du guide d'utilisation |
| 4 Ajusteur de ceinture | 13 Base |
| 5 Bouton de réglage du ISO Connector™ | 14 Fixation ISOFIX (ISO Connector™) |
| 6 Poignée de réglage de l'inclinaison | 15 Fentes de ceinture abdominale du véhicule |
| 7 Housse du harnais d'entrejambe | 16 Guides ISO Connector™ |
| 8 Support Pour Bébé | 17 Dispositif de protection contre les chocs latéraux |
| 9 Housses des harnais d'épaules | |



⚠ AVERTISSEMENT

VEUILLEZ vous assurer que les éléments rigides et les pièces en plastique du système de retenue pour enfants amélioré soient situés et installés de sorte qu'ils ne soient pas susceptibles de se coincer sous un siège mobile ou dans la porte du véhicule.

N'utilisez PAS les systèmes de retenue pour enfants améliorés dos à la route dans des positions d'assise où un airbag frontal actif est installé.

Pour utiliser ce dispositif de retenue pour enfants amélioré conformément à la réglementation UN N°129, votre enfant doit respecter les conditions suivantes.

Face à l'arrière :

Taille de l'enfant entre 40 cm et 105 cm / Poids max. de l'enfant 22 kg ;

Face à l'avant :

Taille de l'enfant entre 100 cm et 145 cm

IMPORTANT - NE PAS UTILISER FACE À LA ROUTE AVANT QUE L'ÂGE DE L'ENFANT ATTEIGNE 15 MOIS (voir les instructions).

En cas d'utilisation avec des tailles comprises entre 135cm et 145cm (Siège d'appoint), il ne s'adapte peut-être pas dans tous les véhicules en raison de la position basse du toit du véhicule sur le côté.

Le dispositif de retenue pour enfants amélioré ne s'adapte peut être pas dans tous les véhicules homologués s'il est utilisé dans l'une de ces positions.

Les sangles qui maintiennent le dispositif de retenue pour enfants amélioré au véhicule doivent être serrées. Les sangles qui retiennent l'enfant doivent être ajustées au corps de l'enfant et les sangles ne doivent pas être entortillées.

N'utilisez PAS de points de contact porteurs autres que ceux décrits dans les instructions et indiqués sur le dispositif de retenue pour enfants amélioré.

Après avoir placé votre enfant dans le dispositif de retenue amélioré, la ceinture de sécurité doit être utilisée correctement. Veuillez vérifier que toute sangle sous-abdominale est installée vers le bas, de manière à ce que le bassin soit fermement engagé, ceci est important.

Ce dispositif de retenue pour enfants amélioré doit être remplacé s'ils a été soumis à des tensions violentes dans un accident. Un accident peut les endommager, même si vous ne voyez pas les dommages.

Soyez conscient du danger d'apporter des modifications ou des ajouts au dispositif sans l'approbation de l'autorité concernée ainsi que du danger de ne pas respecter strictement les instructions d'installation fournies par le fabricant du dispositif de retenue pour enfants amélioré.

Veillez conserver ce dispositif de retenue pour enfants amélioré à l'écart de la lumière du soleil, car il pourrait devenir trop chaud pour la peau de l'enfant. Touchez toujours le dispositif de retenue pour enfants amélioré avant de placer l'enfant dedans.

Ne laissez PAS votre enfant sans surveillance avec ce dispositif de retenue pour enfants amélioré.

Tout bagage et autres objets susceptibles de causer des blessures en cas de collision doivent être correctement sécurisés.

Le dispositif de retenue pour enfants amélioré **NE DOIT PAS** être utilisé sans les pièces souples.

Les pièces souples ne doivent pas être remplacées par des pièces autres que celles recommandées par le fabricant, car les pièces souples font partie intégrante des performances du dispositif de retenue.

Veillez vérifier si ce dispositif de retenue pour enfants amélioré peut être installé correctement dans votre véhicule avant de l'acheter.

AUCUN dispositif de retenue pour enfants amélioré ne peut garantir une protection complète contre les blessures en cas d'accident. Cependant, une bonne utilisation de ce dispositif de retenue pour enfants amélioré réduira les risques de blessures sérieuses ou de mort pour votre enfant.

N'installez PAS ce dispositif de retenue pour enfants amélioré sans respecter les instructions de ce manuel, ou vous pourriez exposer votre enfant à un risque élevé de blessures ou de mort.

N'utilisez PAS ce dispositif de retenue pour enfants amélioré si des pièces sont endommagées ou manquantes.

NE faites PAS porter à votre enfant des vêtements trop amples/grands, car cela pourrait l'empêcher d'être bien attaché par les sangles du harnais pour les épaules et le harnais entre les jambes.

Installation du produit

Problèmes liés à l'installation

N'installez PAS ce dispositif de retenue pour enfants amélioré sur des sièges de véhicules uniquement équipés d'une ceinture abdominale. (1)

Ce dispositif de retenue pour enfants amélioré convient aux sièges de véhicules équipés d'une ceinture de sécurité 3 points à enrouleur. (2) Si votre véhicule est équipé de points d'ancrage ISOFIX, nous vous recommandons de connecter la fixation ISO Connector™ aux points d'ancrage ISOFIX (Mode face à l'avant). (3)

N'utilisez PAS le système face à l'arrière sur le siège du passager lorsqu'un airbag frontal est installé. (4) Ceci peut créer un risque de blessures ou de mort. Veuillez vous reporter au manuel de l'utilisateur du véhicule pour plus d'informations.

N'installez PAS ce dispositif de retenue pour enfants amélioré sur des sièges de véhicules orientés latéralement ou face à l'arrière par rapport à la direction de déplacement du véhicule.

Veuillez consulter le manuel du propriétaire de votre véhicule pour connaître les positions d'installation recommandées ou suggérées.

Ce dispositif de retenue pour enfants amélioré doit être installé dans le siège arrière du véhicule. (4)

N'installez PAS sur des sièges de véhicule amovibles lors de l'installation.

Utilisation du produit

Utilisation du dispositif de protection contre les chocs latéraux

- 1 - Le dispositif de retenue pour enfants amélioré est livré avec un dispositif de protection contre les chocs latéraux amovible. Ce dispositif de protection contre les chocs latéraux doit être utilisé du côté de la porte du véhicule pour une protection optimale. Il doit être fixé à l'extérieur du dispositif de retenue pour enfants amélioré. Installation indiquée dans la fig. (5)
- 2 - Appuyez sur le bouton d'ouverture pour retirer le dispositif de protection contre les chocs latéraux. (6)

Réglage de l'inclinaison

- 1 - Appuyez sur la poignée de réglage de l'inclinaison et ajustez le dispositif de retenue pour enfants amélioré à la bonne position. (7)
- 2 - Les angles d'inclinaison sont illustrés en (8).
 - ! Il y a deux angles d'inclinaison 5-6 pour le mode face à l'arrière.
 - ! Il y a quatre positions d'inclinaison 1-4 pour le mode face à l'avant.
Alignez l'indicateur d'inclinaison supérieur avec les chiffres inférieurs à la position d'inclinaison souhaitée.

Réglage de la hauteur du support pour la tête et des harnais d'épaules

Régalez le support pour la tête et les harnais d'épaules à la hauteur recommandée selon la taille de votre enfant.

- ! En cas d'utilisation en mode face à l'arrière, les fentes pour les harnais d'épaules doivent être à niveau avec ou juste en dessous des épaules de l'enfant. (9)-1
Si les harnais d'épaules ne sont pas à la bonne hauteur, l'enfant pourrait être éjecté du dispositif de retenue pour enfants amélioré en cas d'accident.

- ! En cas d'utilisation en mode face à l'avant, les guides de la ceinture d'épaules doivent être à niveau avec ou juste au-dessus des épaules de l'enfant. (9)-2

Appuyez sur le levier de réglage du support pour la tête (10)-1, tout en tirant sur le support pour la tête vers le haut ou le bas jusqu'à ce qu'il s'enclenche dans l'une des 10 positions.

Les positions du support pour la tête sont illustrées en (10)-2.

- ! Lorsque le repose-tête est réglé vers le haut (de la 6ème à la 9ème position), les côtés du dispositif de retenue pour enfants se déplacent automatiquement vers l'extérieur pour offrir plus d'espace pour les épaules.

Mode face à l'arrière

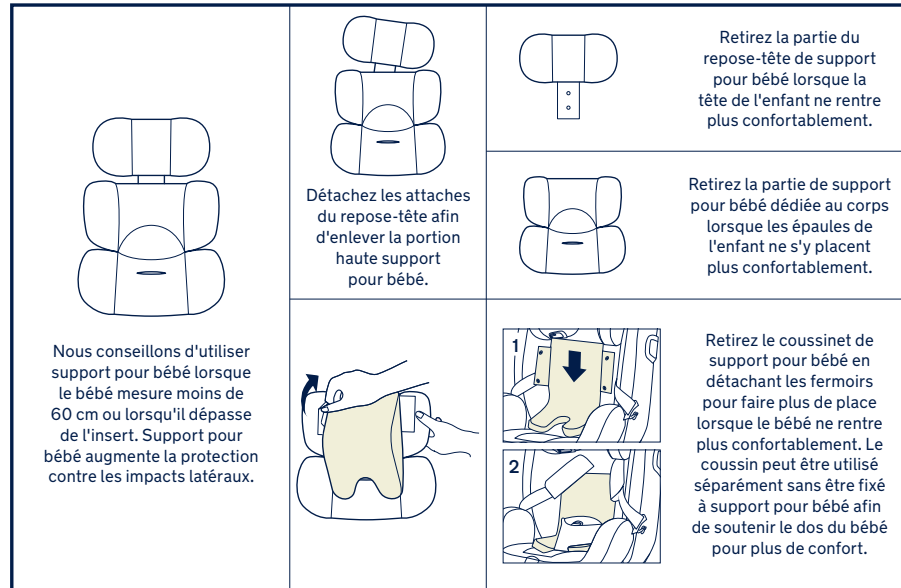
(Taille de l'enfant entre 40 cm et 105 cm / Poids de l'enfant ≤ 22kg)

- ! Veuillez installer le dispositif de retenue pour enfants amélioré sur le siège arrière du véhicule, puis placez l'enfant dans le dispositif de retenue pour enfants amélioré.

Installation en mode face à l'arrière

- ! Veuillez régler le dispositif de retenue pour enfants amélioré à la position d'inclinaison souhaitée (2 positions pour le mode face à l'arrière). Alignez l'indicateur d'inclinaison supérieur avec l'un des chiffres blanc en bas.
 - ! Vérifiez que les harnais d'épaules sont à la bonne hauteur avant d'installer ce dispositif de retenue pour enfants amélioré.
 - ! Lorsque vous installez et ajustez les ceintures de sécurité, vérifiez que la ceinture d'épaules et la ceinture abdominale ne sont pas tordues et ne bloquent pas le bon fonctionnement des ceintures de sécurité.
- 1 - Passez la ceinture abdominale du véhicule à travers les fentes de ceinture abdominale du véhicule, puis insérez la languette de la boucle de la ceinture du véhicule dans la boucle. (11)(12)
 - ! La ceinture abdominale du véhicule doit passer sous support pour bébé.
 - 2 - Passez la ceinture d'épaules du véhicule dans les deux fentes de ceinture du véhicule face à l'arrière situées à l'arrière du dispositif de retenue pour enfants amélioré. (13)
 - ! Ouvrez le verrou de la ceinture et insérez la ceinture d'épaules à travers celle-ci. (14)
 - ! Assurez-vous que le verrouillage de la ceinture est complètement fermé lorsqu'elle n'est pas utilisée pour éviter les blessures ou endommager l'intérieur du véhicule.
 - 3 - Appuyez fermement sur le dispositif de retenue pour enfants amélioré et tirez sur la ceinture d'épaules du véhicule pour fixer fermement le dispositif de retenue pour enfants amélioré. (15)-1 (15)-2
 - ! Assurez-vous de fermer le dispositif de verrouillage après avoir vérifié que le dispositif de retenue pour enfants amélioré est bien fixé. (15)-3 (15)-4
 - ! Pour éviter de vous blesser, retirez vos doigts lorsque vous fermez le dispositif de verrouillage.
 - ! Le dispositif de retenue pour enfants amélioré ne peut pas être utilisé si la boucle de ceinture de sécurité du véhicule (extrémité femelle de la boucle) est trop longue pour fixer le dispositif de retenue pour enfants amélioré de façon sûre.
 - ! Vérifiez deux fois que le dispositif de retenue pour enfants amélioré est solidement installé et qu'il ne bouge pas sur le siège du véhicule.
- La ceinture de sécurité du véhicule correctement installée est illustrée en (16)
- Veuillez vous assurer que la ceinture abdominale du véhicule passe à travers la fente de ceinture abdominale du véhicule. (16)-1
 - ! Veuillez vous assurer que la ceinture d'épaules du véhicule passe à travers la fente de la ceinture de sécurité du véhicule face à l'arrière. (16)-2
 - ! La languette de la boucle de la ceinture du véhicule est correctement engagée dans la boucle, comme en (16)-3.

Attacher l'enfant dans le dispositif de retenue pour enfants amélioré en utilisant support pour bébé



- 1 - Tout en appuyant sur le bouton de réglage du harnais, tirez complètement les deux harnais d'épaules du dispositif de retenue pour enfants amélioré. (17)
 - 2 - Appuyez sur le bouton pour détacher la boucle. (18)
 - 3 - Placez les languettes de la boucle contre la zone magnétique sur le bord extérieur du dispositif de retenue pour enfants pour que les languettes soient maintenues en place. (19)
 - 4 - Fermez la boucle.
L'indicateur vert montre qu'il a été fixé en place. (20)
 - 5 - Tirez la toile d'ajustement vers vous pour l'ajuster à la bonne longueur et assurez-vous que votre enfant est bien attaché. (21)
- ! Une fois l'enfant assis, vérifiez à nouveau que les harnais d'épaules sont à la bonne hauteur.
- ! Maintenez toujours l'enfant attaché dans le harnais et correctement serré en éliminant le jeu éventuel.

Mode face à l'avant

(Taille de l'enfant entre 100 cm et 145 cm)

Installation en mode face à l'avant

- ! Lorsqu'il est utilisé en mode face à l'avant, veuillez retirer support pour bébé et placer les sangles du harnais d'épaules, la boucle et la languette de la boucle dans les compartiments de rangement du harnais.
- ! Veuillez ajuster les harnais d'épaules à la longueur appropriée avant de ranger les sangles d'épaules ainsi que la boucle dans leurs compartiments de rangement.
- ! Veuillez régler le dispositif de retenue pour enfants amélioré dans la position d'inclinaison souhaitée. (4 positions pour le mode face à l'avant). Alignez l'indicateur d'inclinaison supérieur avec l'un des chiffres blanc en bas.

! Lors de l'utilisation et du réglage de la ceinture de sécurité du véhicule, vérifiez qu'il n'y a pas de torsion dans la ceinture de sécurité du véhicule qui pourrait causer une mauvaise fixation de votre enfant.

- 1 - Appuyez sur le bouton pour détacher la boucle comme en (18).
- 2 - Retirez la sangle d'entrejambe comme indiqué en (37) puis support pour bébé.
! Lorsque vous installez le dispositif de retenue pour enfants amélioré en mode face à la route, n'utilisez pas support pour bébé.
- 3 - Ouvrez les boutons-pression. (22)-1
- 4 - Soulevez le rabat supérieur vers le haut et tirez le rabat inférieur vers l'avant, puis rangez les sangles d'épaules dans leurs compartiments de rangement. (22)-2
- 5 - Tirez la boucle vers l'arrière du coussin de siège, puis rangez la boucle et les languettes de la boucle dans leurs compartiments de rangement respectifs. (22)-3 (22)-4
- 6 - Rattachez les boutons-pression pour recouvrir le coussin de siège. Le coussin de siège recouvert est illustré en (23).

Installation des fixation ISO Connector™

- 1 - Insérez les guides de fixation ISO Connector™ pour faciliter l'installation. Les guides de fixation ISO Connector™ peuvent protéger la surface du siège du véhicule contre les déchirements. (24)
- 2 - Étendez les fixations ISO Connector™ en appuyant sur le bouton de réglage (25) et en tirant sur les fixations. (26)
! Vérifiez que les deux fixations ISO Connector™ sont bien fixées à leurs points d'ancrage ISOFIX. Les couleurs des indicateurs des fixations ISO Connector™ doivent être entièrement vertes. (27)
! Les fixations ISO Connector™ doivent être fixées et verrouillées sur les points d'ancrage ISOFIX.
! Vérifiez que le dispositif de retenue pour enfants amélioré est correctement installé en tirant sur les deux fixations ISO Connector™.
- 3 - Appuyez sur le bouton de réglage ISO Connector™ et poussez le dispositif de retenue pour enfants amélioré contre le siège du véhicule jusqu'à ce qu'il soit bien serré. (28)

Retrait et stockage des fixations ISO Connector™

- 1 - Pour le retirer du véhicule, appuyez sur le bouton de réglage des fixations ISO Connector™ (29)-1 et tirez la base du siège. (29)-2
- 2 - Pour libérer les connecteurs ISO des points d'ancrage ISOFIX du véhicule, appuyez et maintenez le bouton avant (30-1), tout en appuyant sur le bouton arrière (30-2).
- 3 - Pour rétracter les fixations ISO Connector™ dans la base, appuyez sur le bouton de réglage des fixations ISO Connector™. (31)

Attacher votre enfant dans le dispositif de retenue pour enfants

- 1 - Veuillez vérifier si les guides de la ceinture d'épaules du véhicule sont à la bonne hauteur lorsque l'enfant est dans le dispositif de retenue pour enfants amélioré.
- 2 - Faites passer la ceinture d'épaule dans le guide de la ceinture d'épaule et faites passer la ceinture abdominale dans les fentes de ceinture abdominale du véhicule. Engagez la boucle du véhicule et tirez sur la ceinture du véhicule pour vous assurer qu'elle est bien serrée. (32)(33)
! La ceinture d'épaule doit passer dans le guide de la ceinture d'épaule.
! La ceinture abdominale doit passer dans les trous de la ceinture abdominale
! NE JAMAIS utiliser une ceinture de sécurité à 2 points (ceinture abdominale uniquement) pour attacher votre enfant.
! NE PAS utiliser une ceinture d'épaules lâche ou positionnée sous le bras.

! **NE PAS** utiliser la ceinture d'épaules derrière le dos de l'enfant.

! **NE PAS** laisser l'enfant glisser vers le bas dans le dispositif de retenue amélioré afin d'éviter tout risque d'étranglement.

Avec une ceinture de sécurité (à 3 points) et ISO Connector™

1 - L'installation des fixations ISO Connector™ est indiqué sur les figures (24) - (28).

2 - Placez l'enfant dans le dispositif de retenue pour enfants amélioré et vérifiez si les guides de la ceinture pour épaules sont à la bonne hauteur.

3 - Faites passer la ceinture d'épaule dans le guide de la ceinture d'épaule et faites passer la ceinture abdominale dans les fentes de ceinture abdominale du véhicule. Engagez la boucle du véhicule et tirez sur la ceinture du véhicule pour vous assurer qu'elle est bien serrée. (32)(33)

4 - La ceinture à 3 points correctement assemblée et la fixation ISO Connector™ sont illustrés en (34).

! Vérifiez que les deux fixations ISO Connector™ sont bien fixées aux points d'ancrage ISOFIX du véhicule. Les couleurs des indicateurs des fixations ISO Connector™ doivent être entièrement vertes. (34)-1

! Vérifiez que le dispositif de retenue pour enfants amélioré est correctement installé en tirant sur les deux fixations ISO Connector™.

! La ceinture d'épaule doit passer dans le guide de la ceinture d'épaule. (34)-3

! La ceinture abdominale doit passer dans les guides de la ceinture abdominale.

! Le dispositif de retenue pour enfants amélioré ne peut pas être utilisé si la boucle de ceinture de sécurité du véhicule (extrémité femelle de la boucle) est trop longue pour fixer le dispositif de retenue pour enfants amélioré de façon sûre. (34)-2

! **NE JAMAIS** utiliser une ceinture de sécurité à 2 points (ceinture abdominale uniquement) pour attacher votre enfant.

! **NE PAS** utiliser une ceinture d'épaules lâche ou positionnée sous le bras.

! **NE PAS** utiliser la ceinture d'épaules derrière le dos de l'enfant.

! **NE PAS** laisser l'enfant glisser vers le bas dans le dispositif de retenue amélioré afin d'éviter tout risque d'étranglement.

Détacher et assembler les parties souples

Voir les images (35) - (43)

Pour assembler les pièces souples, suivez les étapes ci-dessus à l'envers.

Nettoyage et maintenance

Veillez le ranger dans un endroit où l'enfant ne peut pas le toucher.

Lavez les pièces souples à l'eau froide à moins de 30 C.

NE PAS repasser les pièces souples.

NE PAS nettoyer les pièces souples à sec ou à l'eau de Javel.

NE PAS utiliser de détergents neutres non dilués, de l'essence ou d'autres solvants organiques pour laver le dispositif de retenue pour enfants amélioré. Cela pourrait endommager le dispositif de retenue pour enfants amélioré.

NE PAS essorer les pièces souples avec trop de force. Des plis pourraient apparaître sur les pièces souples.

Laissez les pièces souples sécher à l'ombre.

Veillez retirer le dispositif de retenue pour enfants amélioré du véhicule si vous ne prévoyez pas de l'utiliser pendant une longue période.

NUNA International B.V. Nuna et tous les logos associés sont des marques déposées.

WICHTIG!
BEWAHREN SIE DIESE
ANWEISUNGEN ZUM KÜNFTIGEN
NACHSCHLAGEN AUF:
SORGFÄLTIG LESEN

Inhalt

Produktinformationen	27
Produktregistrierung	
Garantie	
Kontakt	
Anforderungen an die Nutzung mit Kind	28
Teileliste	29
Warnung	30
Produkt aufbauen	31
Produkt verwenden	31
Textilteile abnehmen und zusammenfügen	35
Reinigung und Wartung	35

Produktinformationen

Modellnummer: _____

Fertigungsdatum: _____

Produktregistrierung

Bitte füllen Sie die obigen Informationen aus. Modellnummer und Fertigungsdatum befinden sich auf der Rückseite des TRES lx.

Besuchen Sie zur Registrierung Ihres Produktes:

www.nunababy.com

Klicken Sie auf der Startseite auf den „Ausrüstung registrieren“-Link.

Garantie

Wir haben unsere hochwertigen Produkte so entwickelt, dass Sie mit Ihrem Kind und Ihrer Familie wachsen. Da wir uns durch unsere Produkte hervorheben, ist unser Sortiment je nach Produkt durch eine angepasste Garantie ab Kaufdatum abgedeckt. Bitte halten Sie bei Kontaktaufnahme mit uns Kaufbeleg, Modellnummer und Fertigungsdatum bereit.

Garantieinformationen finden Sie unter:

www.nunababy.com

Klicken Sie auf der Startseite auf den „Garantie“-Link.

Kontakt

Wenden Sie sich für Ersatzteile, Service und weitere Garantiefragen an unseren Kundendienst.

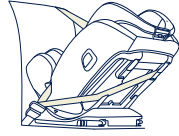

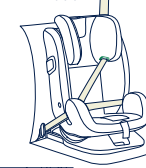
info@nunababy.com

www.nunababy.com

Anforderungen an die Nutzung mit Kind

Dieses Produkt eignet sich für Kinder, die folgende Anforderungen erfüllen:

! **WICHTIG – NICHT IN FAHRTRICHTUNG VERWENDEN, BEVOR DAS KIND ÄLTER ALS 15 MONATE IST** (siehe Anweisungen)

Körpergröße des Kindes	Installationsmodus	Abbildung zur Installation	Referenzalter	Sitzposition	Babyeinsatz Anweisungen
40 bis 105 cm/ ≤ 22 kg	Rückwärts gerichteter Modus	 3-Punkt-Gurt	< 4 Jahre	Position 5-6	Sie sollten den vollständigen Babyeinsatz verwenden, solange das Baby weniger als 60 cm misst, und Sie können ihn verwenden, bis es dem Einsatz entwachsen ist. Der Babyeinsatz ist mit einem seitlichen Aufprallschutz verstärkt.
100 bis 145 cm/ 15 bis 36 kg	Vorwärts gerichteter Modus	 3-Punkt-Gurt oder  3-Punkt-Gurt und ISO Connector™	3 bis 12 Jahre	Position 1-4	Babyeinsatz entfernen und Gurt an sicherer Stelle aufbewahren.

Rückwärts gerichteter Modus

Installation mit 3-Punkt-Gurt

- 1 - Dies ist ein universelles fortschrittliches Kinderrückhaltesystem mit Gurt. Es ist gemäß UN-Richtlinie Nr. 129 primär für den Einsatz in „universellen Sitzpositionen“ entsprechend den Angaben des Fahrzeugherstellers in der Gebrauchsanleitung des Fahrzeugs zugelassen.
- 2 - Bitte wenden Sie sich im Zweifelsfall an den Hersteller oder Händler des fortschrittlichen Kinderrückhaltesystems.

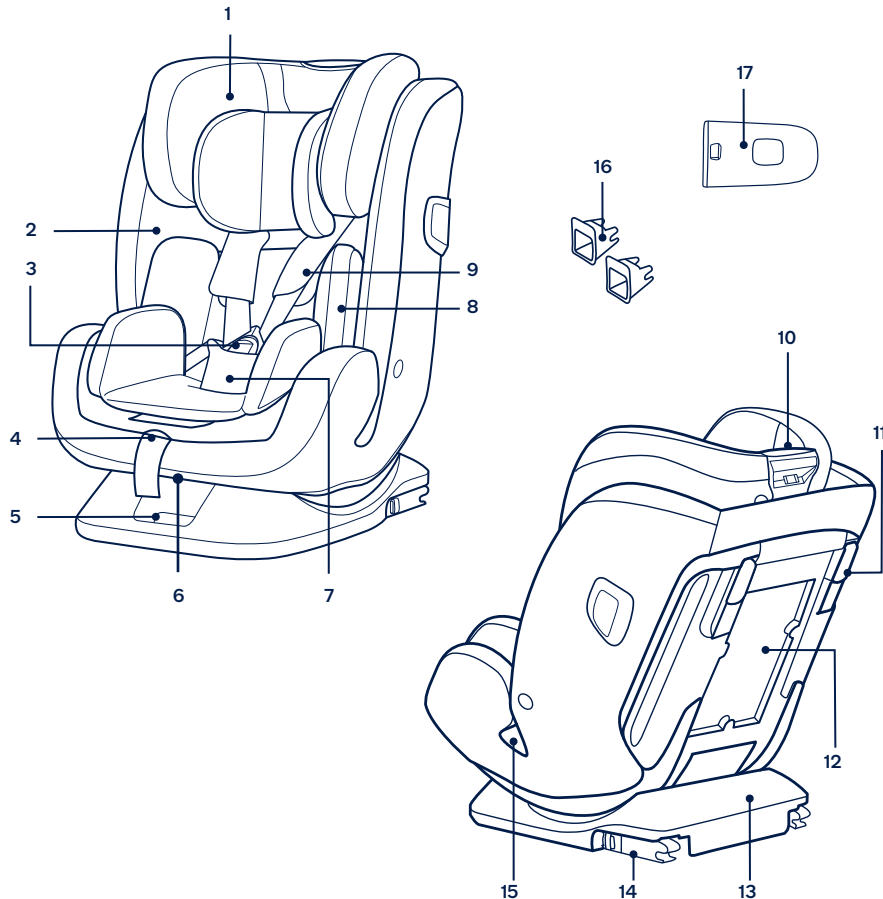
Vorwärts gerichteter Modus

Installation mit 3-Punkt-Gurt oder 3-Punkt-Gurt und ISO Connector™

- 1 - Diese Sitzerrhöhung ist ein fortschrittliches „i-Size“-Kinderrückhaltesystem. Es ist gemäß UN-Regelung No.129 primär für die Verwendung in „i-Size“-Sitzpositionen zugelassen, wie vom Fahrzeughersteller im Handbuch Ihres Fahrzeugs aufgeführt ist.
- 2 - Bitte wenden Sie sich im Zweifelsfall an den Hersteller oder Händler des fortschrittlichen Kinderrückhaltesystems.
- 3 - Wenn die zutreffende Körpergröße 135 bis 145 cm beträgt, handelt es sich um eine „spezifische Sitzerrhöhung“.

Teileliste

- | | | | |
|---|------------------------------|----|--|
| 1 | Kopfstütze | 10 | Kopfstützenversteller |
| 2 | Sitzauflage | 11 | Sperrvorrichtung |
| 3 | Verschluss | 12 | Fach für Bedienungsanleitung |
| 4 | Gurtbandversteller | 13 | Basis |
| 5 | ISO Connector™-Verstelltaste | 14 | ISOFIX-Befestigung (ISO Connector™) |
| 6 | Griff zur Neigungsanpassung | 15 | Schlitze des Beckengurts des Fahrzeugs |
| 7 | Schrittgurtabdeckung | 16 | ISO Connector™-Führungen |
| 8 | Babyeinsatz | 17 | Seitlicher Aufprallschutz |
| 9 | Schultergurtabdeckungen | | |



⚠️ WARNUNG

ACHTEN Sie darauf, feste Teile und Kunststoffteile des fortschrittlichen Kinderrückhaltesystems so zu platzieren und zu installieren, dass sie nicht in einem beweglichen Sitz oder der Fahrzeughür eingeklemmt werden.

Verwenden Sie entgegen der Fahrtrichtung ausgerichtete Kinderrückhaltesysteme **NICHT** in Sitzpositionen, an denen ein aktiver Front-Airbag installiert ist.

Zur Nutzung dieses fortschrittlichen Kinderrückhaltesystems entsprechend der UN-Richtlinie Nr. 129 muss Ihr Kind die folgenden Voraussetzungen erfüllen.

Blick gegen die Fahrtrichtung:
Körpergröße des Kindes 40 – 105 cm/Gewicht des Kindes max. 22 kg

Blick in Fahrtrichtung:
Körpergröße des Kindes 100 – 145 cm

WICHTIG – NICHT IN FAHRTRICHTUNG VERWENDEN, BEVOR DAS KIND ÄLTER ALS 15 MONATE IST (siehe Anweisungen).

Bei Verwendung mit einer Körpergröße zwischen 135 und 145 cm (Sitzerhöhung) passt es möglicherweise nicht in alle Fahrzeuge, bspw. wenn das Fahrzeugdach an der Seite niedrig ist.

Das fortschrittliche Kinderrückhaltesystem passt bei Verwendung an einer dieser Positionen möglicherweise nicht in alle zugelassenen Fahrzeuge.

Jegliche Gurte, die das fortschrittliche Kinderrückhaltesystem im Fahrzeug halten, müssen sicher sitzen. Jegliche Gurte, die das Kind halten, sollten entsprechend dem Körper des Kindes angepasst werden. Achten Sie darauf, dass die Gurte nicht verdreht sind.

Verwenden Sie **NUR** die in der Anleitung beschriebenen und am Rückhaltesystem für Kleinkinder markierten belastbaren Kontaktpunkte.

Bringen Sie den Sicherheitsgurt richtig an, nachdem Sie Ihr Kind in dieses fortschrittliche Kinderrückhaltesystem gesetzt haben. Stellen Sie sicher, dass der Beckengurt so tief wie möglich angelegt ist, damit das Becken sicher gehalten wird.

Dieses Kinderrückhaltesystem sollte ersetzt werden, wenn sie übermäßiger Belastung in einem Unfall ausgesetzt waren. Ein Unfall kann es beschädigen, ohne sichtbare Spuren aufzuweisen.

Beachten Sie die Gefahren durch nicht von einer zuständigen Stelle zugelassenen Veränderungen oder Ergänzungen an diesem Produkt. Beachten Sie außerdem die Gefahren bei Nichteinhaltung der Installationsanweisungen des Herstellers eines Kinderrückhaltesystems.

Bitte platzieren Sie dieses fortschrittliche Kinderrückhaltesystem nicht im direkten Sonnenlicht; andernfalls kann es zu heiß für die Haut Ihres Kindes werden. Fassen Sie das Kinderrückhaltesystem immer erst an, bevor Sie das Kind hineinsetzen.

Lassen Sie Ihr Kind **NIEMALS** unbeaufsichtigt in dem fortschrittlichen Kinderrückhaltesystem zurück.

Gepäck und andere Gegenstände, die bei einem Unfall Verletzungen verursachen könnten, sollten angemessen gesichert werden.

Das fortschrittliche Kinderrückhaltesystem sollte **NICHT** ohne die Textilteile verwendet werden.

Die Textilteile sollten ausschließlich durch die vom Hersteller empfohlenen Teile ersetzt werden, da sie das Verhalten des Kinderrückhaltesystems wesentlich beeinflussen.

Bitte vergewissern Sie sich, dass dieses fortschrittliche Kinderrückhaltesystem richtig in Ihrem Fahrzeug installiert werden kann.

KEIN Kinderrückhaltesystem kann vollständigen Schutz vor Verletzungen bei einem Unfall garantieren. Dennoch reduziert der ordnungsgemäße Einsatz dieses fortschrittlichen Kinderrückhaltesystems die Gefahr ernsthafter oder tödlicher Verletzungen Ihres Kindes.

Installieren oder verwenden Sie das fortschrittliche Kinderrückhaltesystem **NICHT**, ohne die Anweisungen in dieser Anleitung zu befolgen; andernfalls drohen Ihrem Kind ernsthafte oder gar tödliche Verletzungen.

Verwenden Sie dieses fortschrittliche Kinderrückhaltesystem **NICHT**, falls es beschädigt ist oder Teile fehlen.

Ziehen Sie Ihrem Kind beim Einsatz dieses fortschrittlichen Kinderrückhaltesystems im Fahrtrichtung-Modus **KEINE** übergroßen Kleidungsstücke an; andernfalls kann Ihr Kind nicht ordnungsgemäß und zuverlässig über die Schultergurte und den Schrittgurt zwischen den Beinen gesichert werden.

Produkt aufbauen

Hinweise zur Installation

Installieren Sie das fortschrittliche Kinderrückhaltesystem **NICHT** auf Fahrzeugsitzen, die nur über einen Beckengurt verfügen. (1)

Dieses fortschrittliche Kinderrückhaltesystem ist für Fahrzeugsitze mit einem 3-Punkt-Sicherheitsgurt vorgesehen. (2) Sind in Ihrem Fahrzeug ISOFIX-Verankerungspunkte vorhanden, empfehlen wir, die ISO Connector™-Befestigung zusammen mit den ISOFIX-Verankerungspunkte zu verwenden (vorwärts gerichteter Modus). (3)

Verwenden Sie rückwärts gerichteten Kinderrückhaltesysteme **NICHT** in Sitzpositionen mit aktivem Front-Airbag. (4) Andernfalls drohen schwere oder sogar tödliche Verletzungen. Weitere Informationen entnehmen Sie bitte dem Fahrzeughandbuch.

Befestigen Sie dieses fortschrittliche Kinderrückhaltesystem **NICHT** an Fahrzeugsitzen, die in Bezug auf die Fahrtrichtung zur Seite oder nach hinten weisen.

Die empfohlenen Installationspositionen entnehmen Sie bitte der Bedienungsanleitung Ihres Fahrzeugs.

Dieses fortschrittliche Kinderrückhaltesystem muss auf einem Rücksitz installiert werden. (4)

Installieren Sie es **NICHT** an Fahrzeugsitzen, die sich während der Installation bewegen.

Produkt verwenden

Seitlichen Aufprallschutz verwenden

1 - Das fortschrittliche Kinderrückhaltesystem wird mit abnehmbarem seitlichem Aufprallschutz geliefert. Dieser seitliche Aufprallschutz muss für optimalen Schutz auf der Türseite des Fahrzeugs verwendet werden. Er muss an der Außenseite des fortschrittlichen Kinderrückhaltesystems verbunden werden. Darstellung der Installation in Abb. (5)

2 - Drücken Sie zum Entfernen des seitlichen Aufprallschutzes den Freigabeknopf. (6)

Neigungsanpassung

1 - Drücken Sie den Griff zur Neigungsanpassung und setzen Sie das fortschrittliche Kinderrückhaltesystem auf eine geeignete Position. (7)

2 - Die Neigungswinkel sind in (8) abgebildet.

! Die zwei Neigungswinkel 5-6 sind für den rückwärts gerichteten Modus vorgesehen.

! Es gibt bei der Benutzung in Fahrtrichtung vier Neigungspositionen 1-4.

Richten Sie die oberen Neigungsanzeige mit den Zahlen darunter auf die gewünschte Neigungsposition aus.

Höhenanpassung für Kopfstütze und Schultergurte

Stellen Sie die Kopfstütze und die Schultergurte je nach Körpergröße des Kindes bitte auf die richtige Höhe ein.

! Bei Verwendung im rückwärts gerichteten Modus müssen die Schlitze der Schultergurte gleich hoch wie die Schultern des Kindes oder knapp darunter verlaufen. (9)-1

Falls sich die Schultergurte nicht in der geeigneten Höhe befinden, könnte das Kind bei einem Unfall aus dem fortschrittlichen Kinderrückhaltesystem herausgeschleudert werden.

! Bei Verwendung im vorwärts gerichteten Modus müssen die Schlitze der Schultergurte gleich hoch wie die Schultern des Kindes oder knapp darüber verlaufen. (9)-2

Drücken Sie den Kopfstützenversteller (10)-1 und schieben Sie die Kopfstütze dann herauf oder herunter, bis sie in einer der 10 Positionen einrastet.

Die Positionen der Kopfstütze sind in (10)-2 abgebildet.

! Wenn die Kopfstütze nach oben angepasst wird (6. bis 9. Position), bewegen sich die Seiten des Kinderrückhaltesystems automatisch nach außen, damit die Schultern mehr Platz haben.

Rückwärts gerichteter Modus

(Körpergröße des Kindes 40 – 105 cm/ Gewicht des Kindes ≤ 22 kg)

! Installieren Sie das fortschrittliche Kinderrückhaltesystem am Rücksitz eines Fahrzeugs und setzen Sie das Kind dann in das fortschrittliche Kinderrückhaltesystem.

Installation für den rückwärts gerichteten Modus

! Passen Sie das fortschrittliche Kinderrückhaltesystem auf die gewünschte Neigungsposition ein (2 Positionen für den rückwärts gerichteten Modus). Richten Sie Neigungsanzeige oben mit den weißen Zahlen darunter aus.

! Achten Sie vor Installation fortschrittliche des fortschrittlichen Kinderrückhaltesystems darauf, dass der Schultergurt auf die geeignete Höhe eingestellt ist.

! Bei der Installation und Anpassung von Sicherheitsgurten muss darauf geachtet werden, dass der Schultergurt und der Beckengurt nicht verdreht sind und als Folge dessen die Funktionsweise der Sicherheitsgurte beeinträchtigen.

1 - Führen Sie den Beckengurt des Fahrzeugs durch die Schlitze des Beckengurt im Fahrzeug und rasten Sie die Steckzunge des Fahrzeugs im Verschluss ein. (11)(12)

! Der Beckengurt des Fahrzeugs muss unter dem Babyeinsatz verlaufen.

2 - Führen Sie den Schultergurt des Fahrzeugs durch die zwei rückwärts gerichteten Schlitze des Fahrzeuggurts an der Rückseite des fortschrittlichen Kinderrückhaltesystems. (13)

! Öffnen Sie die Gurtsperre und führen Sie den Schultergurt hindurch. (14)

! Vergewissern Sie sich, dass die Gurtsperre komplett geschlossen ist, wenn sie nicht verwendet wird; ansonsten kann es zu Verletzungen kommen oder die Polsterung des Fahrzeugs beschädigt werden.

3 - Drücken Sie das fortschrittliche Kinderrückhaltesystem fest nach unten und ziehen Sie den Schultergurt des Fahrzeugs fest an, um das fortschrittliche Kinderrückhaltesystem sicher zu verankern. (15)-1 (15)-2

! Denken Sie daran, die Sperre zu schließen, nachdem das fortschrittliche Kinderrückhaltesystem sicher befestigt wurde. (15)-3 (15)-4

! Achten Sie darauf, dass Ihre Finger beim Schließen der Sperre nicht eingequetscht und dabei verletzt werden können.

! Das fortschrittliche Kinderrückhaltesystem kann nicht verwendet werden, wenn der Verschluss (Gurtschloss) des Fahrzeugsicherheitsgurtes zu lang ist, um das fortschrittliche Kinderrückhaltesystem fest zu verankern.

! Prüfen Sie doppelt, ob das fortschrittliche Kinderrückhaltesystem sicher installiert ist und sich auf dem Fahrzeugsitz nicht bewegt.

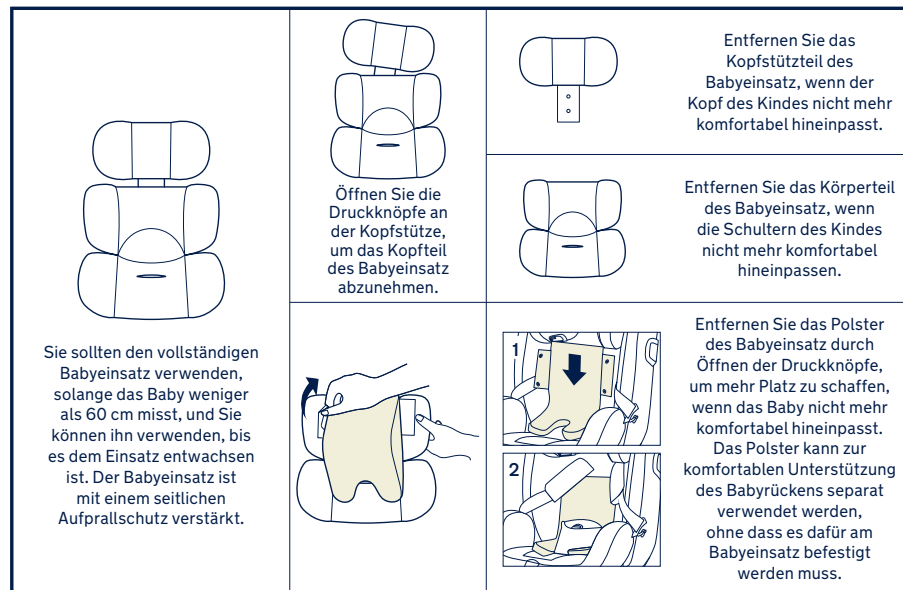
Ein korrekt zusammengefügter Fahrzeuggurt ist in (16) abgebildet

Vergewissern Sie sich, dass der Beckengurt Fahrzeugs durch den Schlitz des Taillengurts im Fahrzeug läuft. (16)-1

! Vergewissern Sie sich, dass der Schultergurt des Fahrzeugs durch den rückwärts gerichteten Schlitz des Fahrzeuggurts läuft. (16)-2

! Die Steckzunge des Fahrzeugs ist korrekt im Verschluss eingerastet, wie in (16)-3 abgebildet ist.

Kind im Kinderrückhaltesystem sichern Verwendung des Babyeinsatz



- 1 - Ziehen Sie die beiden Schultergurte des fortschrittlichen Kinderrückhaltesystems vollständig heraus, während Sie den Gurteinstellknopf gedrückt halten. (17)
 - 2 - Drücken Sie den Knopf, um den Verschluss zu öffnen. (18)
 - 3 - Platzieren Sie die Steckungen am Magnetbereich an der Außenseite des Kinderrückhaltesystems so, dass die Zungen gehalten werden. (19)
 - 4 - Rasten Sie den Verschluss ein.
Die grüne Anzeige zeigt, dass der Verschluss richtig platziert ist. (20)
 - 5 - Ziehen Sie die Gurtführungseinstellung zu sich hin, um sie auf die passende Länge einzustellen, so dass Ihr Kind sicher gehalten wird. (21)
- ! Prüfen Sie nach Hineinsetzen des Kindes noch einmal, ob sich der Schultergurt auf der richtigen Höhe befindet.
 - ! Achten Sie stets darauf, dass Ihr Kind sicher angeschnallt und gut befestigt ist, indem Sie jeglichen Durchhang beseitigen.

Vorwärts gerichteter Modus

(Körpergröße des Kindes 100 – 145 cm)

Installation für den vorwärts gerichteten Modus

- ! Entfernen Sie den Babyeinsatz bei Verwendung im vorwärts gerichteten Modus und verstauen Sie die Schultergurte, den Verschluss und die Steckungen in den Ablagefächern.
- ! Stellen Sie die Schultergurte bitte auf eine passende Länge ein, bevor Sie die Schultergurte und den Verschluss in ihren Ablagefächern verstauen.
- ! Setzen Sie das fortschrittliche Kinderrückhaltesystem bitte auf die gewünschte Neigungsposition. (4 Positionen für den vorwärts gerichteten Modus). Richten Sie Neigungsanzeige oben mit den weißen Zahlen darunter aus.

! Prüfen Sie bei Verwendung und Anpassung des Fahrzeuggurts, ob er nicht verdreht ist und Ihr Kind demzufolge nicht richtig angeschnallt werden kann.

- 1 - Drücken Sie den Knopf, um den Verschluss zu öffnen, wie in (18) abgebildet ist.
- 2 - Entfernen Sie den Schrittgurt, wie in (37) abgebildet, und dann den Babyeinsatz.
! Verwenden Sie Babyeinsatz nicht, wenn Sie das fortschrittliche Kinderrückhaltesystem im vorwärts gerichteten Modus installieren.
- 3 - Öffnen Sie die Druckknöpfe. (22)-1
- 4 - Heben Sie die obere Lasche hoch und ziehen Sie die untere Lasche nach vorne; verstauen Sie dann die Schultergurte in ihren Ablagefächern. (22)-2
- 5 - Ziehen Sie den Verschluss zur Rückseite des Sitzpolsters; verstauen Sie dann den Verschluss und die Steckungen in den jeweiligen Ablagefächern. (22)-3 (22)-4
- 6 - Fügen Sie das Sitzpolster wieder zusammen, indem Sie die Druckknöpfe schließen. Das zusammengefügte Sitzpolster ist in (23) abgebildet.

ISO Connector™-Befestigungen installieren

- 1 - Stecken Sie als Hilfestellung bei der Installation die ISO Connector™-Befestigungsführen hinein. Die ISO Connector™-Befestigungsführungen können die Oberfläche des Fahrzeugsitzes vor Verschleiß schützen. (24)
- 2 - Erweitern Sie die ISO Connector™-Befestigungen durch Drücken des Verstellknopfes (25) und ziehen Sie die Befestigungen heraus. (26)
! Achten Sie darauf, dass beide ISO Connector™-Befestigungen gut mit ihren ISOFIX-Verankerungspunkten verbunden sind. Die Anzeigen an beiden ISO Connector™-Befestigungen sollten komplett grün sein. (27)
! Die ISO Connector™-Befestigungen müssen mit den ISOFIX-Verankerungspunkten verbunden und verankert sein.
! Vergewissern Sie sich, dass das fortschrittliche Kinderrückhaltesystem gut befestigt ist, indem Sie an beiden ISO Connector™-Befestigungen ziehen.
- 3 - Drücken Sie den ISO Connector™-Verstellknopf und drücken Sie das fortschrittliche Kinderrückhaltesystem nach hinten gegen den Fahrzeugsitz, bis es fest anliegt. (28)

ISO Connector™-Befestigungen entfernen und aufbewahren

- 1 - Zum Entfernen aus dem Fahrzeug drücken Sie den ISO Connector™-Verstellknopf (29)-1 und ziehen Sie die Basis aus dem Sitz heraus. (29)-2
- 2 - Lösen Sie die ISO Connectors von den ISOFIX-Verankerungspunkten des Fahrzeugs, indem Sie den vorderen Knopf (30-1) gedrückt halten, während Sie den hinteren Knopf (30-2) drücken.
- 3 - Zum Einzug der ISO Connector™-Befestigungen in die Basis müssen Sie den ISO Connector™-Verstellknopf drücken. (31)

Kind im Kinderrückhaltesystem sichern

- 1 - Prüfen Sie bitte, ob die Schultergurtführungen des Fahrzeugs in geeigneter Höhe verlaufen, wenn sich das Kind im fortschrittlichen Kinderrückhaltesystem befindet.
- 2 - Führen Sie den Schultergurt durch die Schultergurtführung und den Beckengurt durch die Beckengurtschlitze des Fahrzeugs. Schließen Sie den Verschluss des Fahrzeuggurts und vergewissern Sie sich, dass er fest anliegt. (32)(33)
! Der Schultergurt muss durch die Schultergurtführung laufen.
! Der Beckengurt muss durch die Beckengurtschlitze geführt werden.
! Verwenden Sie **NIEMALS** einen 2-Punkt-Fahrzeuggurt (reiner Beckengurt) zur Sicherung Ihres Kindes.
! Lassen Sie den Schultergurt **NICHT** locker durchhängen oder unter dem Arm verlaufen.

- ! Legen Sie den Schultergurt **NICHT** hinter den Rücken des Kindes.
- ! Das Kind darf zur Vermeidung von Strangulationsgefahr **NICHT** im fortschrittlichen Kinderrückhaltesystem nach unten rutschen können.

Mit Fahrzeuggurt(3-Punkt-Gurt) und ISO Connector™

- 1 - Die Installation der ISO Connector™-Befestigungen wie in Abb. (24) - (28) dargestellt.
- 2 - Setzen Sie das Kind in das fortschrittliche Kinderrückhaltesystem und prüfen Sie, ob die Schultergurtführungen in geeigneter Höhe liegen.
- 3 - Führen Sie den Schultergurt durch die Schultergurtführung und den Beckengurt durch die Beckengurtschlitze des Fahrzeugs. Schließen Sie den Verschluss des Fahrzeuggurts und vergewissern Sie sich, dass er fest anliegt. (32)(33)
- 4 - Der korrekt zusammengefügte 3-Punkt-Gurt und die ISO Connector™-Befestigung ist in (34) abgebildet.
 - ! Achten Sie darauf, dass beide ISO Connector™-Befestigungen gut mit den ISOFIX-Verankerungspunkten des Fahrzeugs verbunden sind. Die Anzeigen an beiden ISO Connector™-Befestigungen sollten komplett grün sein. (34)-1
 - ! Vergewissern Sie sich, dass das fortschrittliche Kinderrückhaltesystem gut befestigt ist, indem Sie an beiden ISO Connector™-Befestigungen ziehen.
 - ! Der Schultergurt muss durch die Schultergurtführung laufen. (34)-3
 - ! Der Beckengurt muss durch die Beckengurtführungen.
 - ! Das fortschrittliche Kinderrückhaltesystem kann nicht verwendet werden, wenn der Verschluss (Gurtschloss) des Fahrzeugsicherheitsgurtes zu lang ist, um das fortschrittliche Kinderrückhaltesystem fest zu verankern. (34)-2
 - ! Verwenden Sie **NIEMALS** einen 2-Punkt-Fahrzeuggurt (reiner Beckengurt) zur Sicherung Ihres Kindes.
 - ! Lassen Sie den Schultergurt **NICHT** locker durchhängen oder unter dem Arm verlaufen.
 - ! Legen Sie den Schultergurt **NICHT** hinter den Rücken des Kindes.
 - ! Das Kind darf zur Vermeidung von Strangulationsgefahr **NICHT** im fortschrittlichen Kinderrückhaltesystem nach unten rutschen können.

Textilteile abnehmen und zusammenfügen

Siehe Abbildungen (35) - (43)

Fügen Sie die Textilteile zusammen, indem Sie die obigen Schritte in umgekehrter Reihenfolge durchlaufen.

Reinigung und Wartung

Bewahren Sie es bitte an einem für Kinder unzugänglichen Ort auf.

Bitte waschen Sie die Textilteile mit kaltem Wasser unter 30 °C.

Sie dürfen die Textilteile **NICHT** bügeln.

Sie dürfen die Textilteile **NICHT** bleichen oder in die chemische Reinigung geben.

Reinigen Sie dieses fortschrittliche Kinderrückhaltesystem **NICHT** mit unverdünntem, neutralen Reinigungsmittel, Benzin oder einem anderen organischen Lösungsmittel. Diese können das fortschrittliche Kinderrückhaltesystem beschädigen.

Wringen Sie die Textilteile **NICHT** kräftig aus. Andernfalls könnten an den Textilteilen Falten zurückbleiben.

Bitte hängen Sie die Textilteile zum Trocknen im Schatten auf.

Bitte entfernen Sie das fortschrittliche Kinderrückhaltesystem vom Fahrzeugsitz, wenn es längere Zeit nicht verwendet wird.

NUNA International B.V. Nuna und alle zugehörigen Logos sind Marken.

BELANGRIJK!
DEZE INSTRUCTIES BEWAREN
VOOR LATER GEBRUIK:
AANDACHTIG LEZEN

Inhoud

Productinformatie	39
Productregistratie	
Garantie	
Contact	
Vereisten kindergebruik	40
Onderdelenlijst	41
Waarschuwing	42
Installeren product	43
Gebruik product	43
Zachte voorwerpen los- en vastmaken	47
Reiniging en onderhoud	47

Productinformatie

Modelnummer: _____

Fabricagedatum: _____

Productregistratie

Vul de bovenstaande informatie in. Het model en de fabricagedatum bevinden zich achterop de TRES lx.

Ga voor het registreren van uw product naar:

www.nunababy.com

Klik op de link "Uitrusting registreren" op de homepage.

Garantie

Wij hebben onze hoogwaardige producten opzettelijk zo ontworpen dat ze kunnen mee kunnen groeien met zowel uw kind als uw familie. Omdat wij achter ons product staan, wordt onze uitrusting gedekt door een aangepaste garantie per product, beginnend op de dag van aanschaf. Houd het aankoopbewijs, het modelnummer en de fabricagedatum klaar als u contact met ons opneemt.

Ga voor garantie-informatie naar:

www.nunababy.com

Klik op de link "Garantie" op de homepage.

Contact

Neem contact op met onze klantenservice-afdelingen voor vervangende onderdelen, service of aanvullende vragen over de garantie.

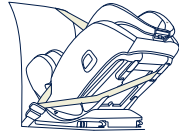

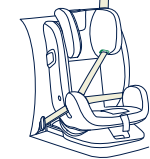
info@nunababy.com

www.nunababy.com

Vereisten kindergebruik

Dit product is geschikt voor gebruik met kinderen die aan de volgende eisen voldoen:

! **BELANGRIJK - NIET VOORUIT KIJKEND GEBRUIKEN VOORDAT HET KIND OUDER IS DAN 15 MAANDEN**
(raadpleeg instructies)

Grootte kind	Installatiestand	Afbeelding voor installatie	Referentieleeftijd	Stoelpositie	Instructies comfortabel inlegwerk
40cm-105cm/ ≤22kg	Achteruit kijkende modus	 3-puntsgordel	<4 jaar	Stand 5 -6	We adviseren het gebruik van het volledige comfortabele inlegwerk zolang de baby kleiner is dan 60cm of tot het te groot is voor het inzetstuk. Het comfortabele inlegwerk verbetert de bescherming tegen zijdelingse inslagen.
100cm-145cm/ 15-36kg	Vooruit kijkende modus	 3-puntsgordel of  3-Puntsgordel en ISO Connector™	3 jaar tot 12 jaar	Stand 1 -4	Verwijder het comfortabele inlegwerk en bewaar de gordels op de juiste opslaglocaties

Achteruit kijkende modus

Voor installatie met driepuntsgordel

- 1 - Dit is een universeel verbeterd kinderzitstelsel met gordel. Het is goedgekeurd volgens VN-verordening nr. 129 voor gebruik in voornamelijk "universele zitstanden" zoals is aangegeven door de fabrikant van de auto in de handleiding.
- 2 - Neem in geval van twijfel contact op met de fabrikant van het verbeterde kinderzitstelsel of de verkoper.

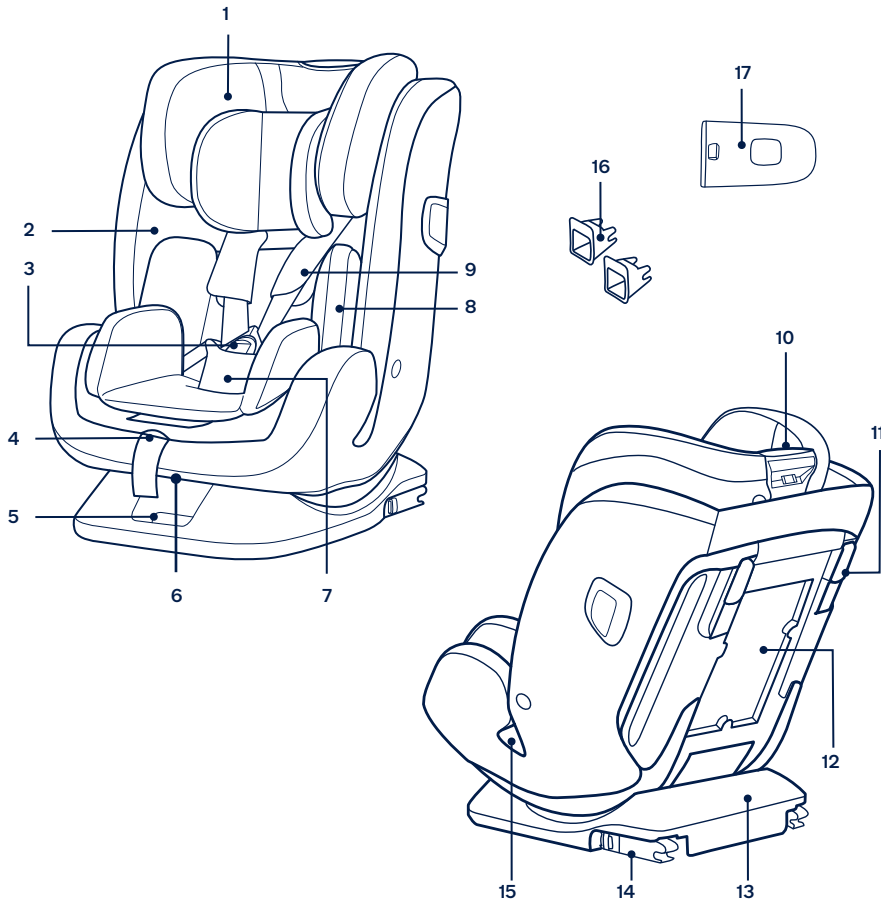
Vooruit kijkende modus

Voor installatie met 3-puntsgordel of 3-puntsgordel en ISO Connector™

- 1 - Dit is een i-Size kinderzitje met verbeterd veiligheidsriemsysteem. Het is goedgekeurd volgens VN-verordening nr. 129 voor gebruik in voornamelijk "i-Size-zitstanden" zoals is aangegeven door de fabrikant van de auto in de handleiding.
- 2 - Neem in geval van twijfel contact op met de fabrikant van het verbeterde kinderzitstelsel of de verkoper.
- 3 - Wanneer de toepasselijke lengte 135cm-145cm is, behoort het tot "Kinderstoeltje specifiek voertuig".

Onderdelenlijst

- | | | | |
|---|----------------------------|----|-------------------------------------|
| 1 | Hoofdsteen | 10 | Instelhendel voor hoofdsteen |
| 2 | Zitkussen | 11 | Ontgrendeling |
| 3 | Gesp | 12 | Opslagvak instructiehandleiding |
| 4 | Gordelinsteller | 13 | Voetstuk |
| 5 | ISO Connector™-instelknop | 14 | ISOFIX-bevestiging (ISO Connector™) |
| 6 | Instelhendel schuinstand | 15 | Heupgordelsleuven voertuig |
| 7 | Afdekking kruisriemen | 16 | ISO Connector™-geleiders |
| 8 | Comfortabel inlegwerk | 17 | Afscherming voor inslag opzij |
| 9 | Afdekkingen schouderriemen | | |



⚠ WAARSCHUWING

ZORG ERVOOR dat de stugge items en plastic onderdelen van het verbeterde kinderzitstelsel zo moeten worden geplaatst en geïnstalleerd dat ze niet klem kunnen komen door een verplaatsbare stoel of in een deur van het voertuig.

Gebruik **NIET** de naar achteren kijkende verbeterde kinderzitstelsels in stoelposities waarbij een actieve frontale airbag is geïnstalleerd.

Om dit verbeterde kinderzitje volgens de VN-verordening nr. 129 te kunnen gebruiken, moet uw kind aan de volgende voorwaarden voldoen.

Naar achteren kijkend:

Lengte kind 40cm-105cm/ gewicht kind max. 22 kg;

Naar voren kijkend:

Lengte kind 100cm-145cm

BELANGRIJK - NIET VOORUIT KIJKEND GEBRUIKEN VOORDAT HET KIND OUDER IS DAN 15 MAANDEN (raadpleeg instructies).

Bij gebruik bij lichaamslengtes van tussen 135cm en 145cm, past het (kinderstoeltje) wellicht niet in alle voertuigen vanwege een lage stand van het dak van het voertuig aan de zijkant.

Het verbeterde kinderzitje past wellicht niet in alle goedgekeurde voertuigen bij gebruik in een van deze standen.

Gordels die het kinderzitje op zijn plaats houden in het voertuig moeten aangetrokken worden. Gordels waarmee het kind wordt vastgezet dienen aangepast te worden aan het lichaam van het kind, en de gordels mogen niet worden gedraaid.

Gebruik **GEEN** andere lastdragende contactpunten dan degene die in de aanwijzingen worden beschreven en die op het verbeterde kinderzitje zijn aangegeven.

Nadat uw kind in dit verbeterde kinderzitje is geplaatst, moet de veiligheidsriem op de juiste manier worden gebruikt. Zorg ervoor dat elke middelriem laag wordt gedragen, zodat het bekken stevig vast zit.

Dit verbeterde kinderzitje moet worden vervangen als ze onderworpen zijn geweest aan zware spanningen bij een ongeluk. Een ongeluk kan daar schade aan veroorzaken die u niet kunt zien.

Houd rekening met het gevaar van het aanbrengen van veranderingen of aanvullingen aan het apparaat zonder goedkeuring van de aangewezen instantie, en het gevaar van het niet nauwkeurig volgen van de aanwijzingen als geleverd door de fabrikant van het verbeterde kinderzitje.

Houd dit verbeterde kinderzitje uit de buurt van zonlicht, anders kan het te heet worden voor de huid van uw kind. Raak het verbeterde kinderzitje altijd aan voordat u het kind erin plaatst.

Laat uw kind **NIET** zonder toezicht achter in het verbeterde kinderzitstelsel.

Bagage en andere voorwerpen die in geval van botsing letsel kunnen veroorzaken, moeten goed zijn vastgezet.

GEBRUIK het verbeterde kinderzitje **NIET** zonder de zachte onderdelen.

Vervang de zachte onderdelen alleen door de onderdelen die door de fabrikant worden aanbevolen omdat de zachte onderdelen een integraal onderdeel vormen van de werking van het kinderzitje.

Controleer of dit verbeterde kinderzitje juist kan worden geïnstalleerd in uw voertuig voordat u het aanschaft.

GEEN ENKEL verbeterd kinderzitje biedt volledige bescherming tegen letsel bij een ongeluk. Maar het juiste gebruik van het verbeterde kinderzitje vermindert het risico van ernstig letsel of de dood.

Installeer dit verbeterde kinderzitje **NIET** zonder de aanwijzingen en waarschuwingen in deze handleiding te volgen, anders brengt u uw kind ernstig in gevaar.

Gebruik dit verbeterde kinderzitje **NIET** als het is beschadigd of als onderdelen ontbreken.

Kleed uw kind **NIET** in te ruimzittende kleding, omdat dit kan voorkomen dat uw kind goed en stevig wordt vastgezet met de schoudergordels en de kruisriem tussen de benen.

Installeren product

Opletten bij installatie

NIET het verbeterde kinderzitje installeren op autostoelen met een heupgordel. (1)

Dit verbeterde kinderzitje is uitsluitend geschikt voor autostoelen met driepunts veiligheidsgordels. (2) Als uw voertuig ISOFIX-ankerpunten heeft, raden wij aan om de ISO Connector™-bevestiging aan te sluiten op de ISOFIX-ankerpunten (Vooruit kijkende stand). (3)

Gebruik het achteruit kijkende systeem NIET op de passagiersstoel als een actieve airbag voorin is geactiveerd. (4) Dit kan de dood of ernstig letsel als gevolg hebben. Zie de handleiding van het voertuig voor meer informatie.

Installeer dit verbeterde kinderzitje NIET op stoelen die opzij of naar achteren kijken ten opzichte van de rijrichting van het voertuig.

Raadpleeg de gebruikershandleiding van uw auto voor aanbevolen of gesuggereerde installatieposities.

Dit verbeterde kinderzitje moet op een zitplaats op achterbank van de auto worden geïnstalleerd. (4)

Installeer het kinderzitje NIET op autostoelen die tijdens de installatie bewegen.

Gebruik product

Gebruik de afscherming voor inslag opzij

1 - Het verbeterde kinderzitje wordt geleverd met verwijderbare afscherming voor inslag opzij. Deze afscherming voor inslag opzij moet worden gebruikt aan de deurside van het voertuig voor de beste bescherming. Het moet worden aangesloten op de buitenkant van het verbeterde kinderzitje. Installatie getoond in afb. (5)

2 - Druk op de ontgrendelknop om de afscherming voor inslag opzij te verwijderen. (6)

Instelling schuine stand

1 - Druk op de hendel voor de instelling van de schuine stand en plaats het verbeterde kinderzitje in de juiste stand. (7)

2 - De hoeken van de stand zijn afgebeeld in afb. (8).

! Er zijn twee schuine standen 5-6 voor de achteruit kijkende stand.

! Er zijn vier schuine standen 1-4 voor de vooruit kijkende stand.

Lijn de bovenste indicator voor schuinstand uit met de onderste nummers voor de gewenste schuinstand.

Hoogte-afstelling voor hoofdsteun en schouderriemen

Stel de hoofdsteun en de schouderriemen af op de juiste hoogte overeenkomstig de lengte van het kind.

! Bij gebruik in de achteruit kijkende stand moeten de sleuven voor de schouderriemen gelijklopen met of net onder de schouders van het kind liggen. (9)-1

Als de schouderriemen geen juiste hoogte hebben, kan het kind uit het verbeterde kinderzitje worden geworpen bij een ongeluk.

! Bij gebruik in de vooruit kijkende stand moeten de sleuven voor de schouderriemen gelijklopen met of net boven de schouders van het kind liggen. (9)-2

Knijp in de hendel voor de afstelling van de hoofdsteun (10)-1 en trek tegelijkertijd de hoofdstuk op of druk het omlaag tot het in een van de 10 standen klikt.

De standen van de hoofdsteun zijn afgebeeld in (10)-2.

! Wanneer de hoofdsteun omhoog wordt bijgesteld (vanaf de 6e-9e stand), bewegen de zijkanten van het kinderzitje automatisch naar buiten om meer schouder ruimte te bieden.

Achteruit kijkende modus

(Lengte kind 40cm-105cm/ gewicht kind ≤ 22kg)

! Installeer het verbeterde kinderzitje op de achterbank en plaats het kind vervolgens in het verbeterde kinderzitje.

Installatie voor achteruit kijkende modus

! Stel het verbeterde kinderzitje af op de gewenste schuinstand (2 posities voor achteruit kijkende modus). Lijn de bovenste indicator voor schuinstand uit met een van de onderste witte nummers.

! Zorg ervoor dat de schouderriem op de juiste hoogte is afgesteld voordat u dit verbeterde kinderzitje installeert.

! Zorg er bij het installeren en afstellen van de veiligheidsriemen voor dat zowel de schouderriem als de heupgordel niet gedraaid zijn en de veilige werking van de veiligheidsriemen niet hinderen.

1 - Steek de heupgordel door de heupgordelsleuven van het voertuig en druk daarna de tong van de autogesp in de gesp. (11)(12)

! De heupgordel van het voertuig moet onder het comfortabel inlegwerk doorgaan.

2 - Steek de schouderriem van het voertuig door de twee achteruit kijkende autogordelsleuven aan de achterkant van het verbeterde kinderzitje. (13)

! Open de riemvergrendeling en steek de schouderriem erdoor. (14)

! Zorg ervoor dat de riemvergrendeling geheel gesloten is als deze niet in gebruik is om letsel, of schade aan de bekleding, te voorkomen.

3 - Druk het verbeterde kinderzitje stevig omlaag en trek aan de schouderriem van het voertuig om het verbeterde kinderzitje stevig vast te zetten. (15)-1 (15)-2

! Zorg ervoor dat u de vergrendeling sluit na het controleren dat het verbeterde kinderzitje stevig is vastgezet. (15)-3 (15)-4

! Houd uw vingers weg bij het sluiten van de vergrendelingsklemmen om letsel te vermijden.

! Het verbeterde kinderzitje kan niet worden gebruikt als de gesp van de veiligheidsriem (vrouwelijke gesp kant) te lang is om het verbeterde kinderzitje veilig vast te zetten.

! Controleer nogmaals dat het verbeterde kinderzitje stevig is geïnstalleerd en niet beweegt op de autostoel.

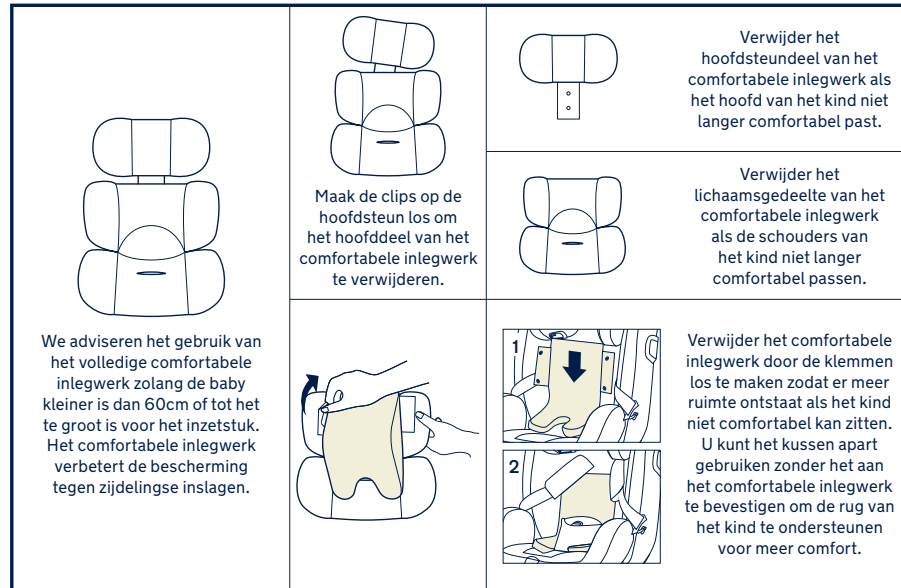
Een goed gemonteerde autoriem is afgebeeld in afb. (16)

Zorg ervoor dat de heupgordel van het voertuig door de heupgordelsleuf van het voertuig gaat. (16)-1

! Zorg ervoor dat de schouderriem van het voertuig door de achteruit kijkende autogordelsleuf gaat. (16)-2

! De tong van de gesp van de auto zit op de juiste manier in de gesp, als in (16)-3.

Het kind vastzetten in het verbeterde kinderzitje met het comfortabele inlegwerk



- 1 - Houd de instelknop voor de gordels ingedrukt en trek aan de twee schoudergordels van het verbeterde kinderzitje. (17)
 - 2 - Druk op de knop om de gesp los te maken. (18)
 - 3 - Plaats de gesponten tegen het magnetische gebied op de buitenzijde van het kinderzitje zodat de tongen op de plaats worden gehouden. (19)
 - 4 - Maak de gesp vast.
De groene indicator toont dat het vast is gespspt. (20)
 - 5 - Trek de rieminstelling naar u toe en stel hem op de juiste lengte af om ervoor te zorgen dat uw kind goed vast zit. (21)
- ! Nadat het kind in het zitje is geplaatst, moet u controleren of de schouderriemen op de juiste hoogte zitten.
 - ! Houd het kind altijd goed vast in de gordels door het wegnemen van alle vrije ruimte.

Vooruit kijkende modus

(Lengte kind 100cm-145cm)

Installatie voor vooruit kijkende modus

- ! Bij gebruik in de vooruit kijkende stand moet u het comfortabele inlegwerk verwijderen en de schoudergordels, gesp en gesponten in de opbergvakken voor de gordels plaatsen.
- ! Pas de schouderriemen aan op de juiste lengte voordat u de schouderriemen en gesp opbergt.
- ! Stel het verbeterde kinderzitje af op de gewenste schuinstand. (4 hellende standen voor de vooruit kijkende stand). Lijn de bovenste indicator voor schuinstand uit met een van de onderste witte nummers.
- ! Tijdens het gebruiken en afstellen van de veiligheidsgordel moet u controleren dat de veiligheidsgordel niet gedraaid is waardoor uw kind onjuist vastgezet zou kunnen worden.

- 1 - Druk op de knop om de gesp los te maken als in (18).
- 2 - Verwijder de kruisriem als getoond in (37) en vervolgens het comfortabele inlegwerk.
! Gebruik niet het comfortabele inlegwerk als u het verbeterde kinderzitje in de vooruit kijkende modus installeert.
- 3 - Maak de klemmen los. (22)-1
- 4 - Til de bovenste klep omhoog en trek de onderste klep naar voren. Berg dan de schouderriemen op in het opbergvak. (22)-2
- 5 - Trek de gesp naar de rug van het zitkussen en berg de gesp en gesponten in de betreffende opbergvakken op. (22)-3 (22)-4
- 6 - Maak de klemmen weer vast om het kussen terug te leggen. Het zitkussen is afgebeeld als in (23).

ISO Connector™-bevestigingen installeren

- 1 - Plaats ISO Connector™-bevestigingsgeleiders om te helpen bij de installatie. De ISO Connector™-bevestigingsgeleiders voorkomen dat het oppervlak van de auto stoel gescheurd wordt. (24)
- 2 - Verleng de ISO Connector™-bevestigingen door te drukken op de instelknop (25) en de bevestigingen uit te trekken. (26)
! Controleer of beide ISO Connector™-bevestigingen stevig vast zitten aan hun ISOFIX-ankerpunten. De kleur van de indicatoren op beide ISO Connector™-bevestigingen moet volledig groen zijn. (27)
! De ISO Connector™-bevestigingen moeten worden aangesloten en vergrendeld in de ISOFIX-ankerpunten.
! Controleer of het verbeterde kinderzitje goed vast zit door aan beide ISO Connector™-bevestigingen te trekken.
- 3 - Druk op de ISO Connector™-instelknop en druk het verbeterde kinderzitje terug tegen de stoel tot hij strak zit. (28)

ISO Connector™-bevestigingen verwijderen en opbergen

- 1 - Om te verwijderen van het voertuig, drukt u op de ISO Connector™-instelknop (29)-1 en trekt u de voet weg van de stoel. (29)-2
- 2 - Voor het vrijgeven van de ISO-connectors van de ISOFIX-ankerpunten, houdt u de voorste knop (30-1), ingedrukt terwijl u drukt op de achterste (30-2).
- 3 - Om de ISO Connector™-bevestigingen in te trekken in de voet, drukt u op de ISO Connector™-instelknop. (31)

Uw kind in het kinderzitstelsysteem vastzetten

- 1 - Controleer of de geleiders voor de schouderriem van het voertuig op de juiste hoogte staan wanneer het kind in het verbeterde kinderzitje zit.
- 2 - Steek de schouderriem door de schouderriemgeleider, steek de heupgordel door de heupgordelsleuven van het voertuig. Maak de gesp van het voertuig vast en trek aan de autogordel om ervoor te zorgen dat het strak zit. (32)(33)
! De schouderriem moet door de schouderriemgeleider gaan.
! De heupgordel moet door de heupgordelsleuven gaan.
! Gebruik **NOOIT** een tweepuntsgordel (alleen heupriem) om uw kind vast te zetten.
! Gebruik de schouderriem **NIET** los of onder de arm.
! Gebruik de schouderriem **NIET** achter de rug van het kind.
! Laat het kind **NIET** omlaag glijden in het verbeterde kinderzitje vanwege de kans op verwurging.

Met autogordel (3-puntsgordel) en ISO Connector™

- 1 - Installeren van ISO Connector™-bevestigingen wordt getoond in afb. (24) - (28).
- 2 - Laat het kind in het verbeterde kinderzitje zitten en controleer of de schouderriemen op de juiste hoogte zitten.
- 3 - Steek de schouderriem door de schouderriemgeleider, steek de heupgordel door de heupgordelsleuven. Maak de gesp van het voertuig vast en trek aan de autogordel om ervoor te zorgen dat het strak zit. (32)(33)
- 4 - Een correct gemonteerde 3-puntsgordel en ISO Connector™-bevestiging wordt getoond in (34).
 - ! Controleer of beide ISO Connector™-bevestigingen stevig vast zitten aan de ISOFIX-ankerpunten van het voertuig. De kleur van de indicatoren op beide ISO Connector™-bevestigingen moet volledig groen zijn. (34)-1
 - ! Controleer of het kinderzitje goed vast zit door aan beide ISO Connector™-bevestigingen te trekken.
 - ! De schouderriem moet door de schouderriemgeleider gaan. (34)-3
 - ! De heupgordel moet door de heupgordelgeleiders gaan.
 - ! Het verbeterde kinderzitje kan niet worden gebruikt als de gesp van de veiligheidsriem (vrouwelijke gespkant) te lang is om het verbeterde kinderzitje veilig vast te zetten. (34)-2
 - ! Gebruik **NOOIT** een tweepuntsgordel (alleen heupriem) om uw kind vast te zetten.
 - ! Gebruik de schouderriem **NIET** los of onder de arm.
 - ! Gebruik de schouderriem **NIET** achter de rug van het kind.
 - ! Laat het kind **NIET** omlaag glijden in het verbeterde kinderzitje vanwege de kans op verwurging.

Zachte voorwerpen los- en vastmaken

Zie afbeeldingen (35) - (43)

Ga in omgekeerde volgorde te werk om de zachte artikelen te monteren.

Reiniging en onderhoud

Berg het ergens op waar uw kind er niet bij kan.

Was de zachte onderdelen met koud water onder de 30°C.

De zachte voorwerpen **NIET** strijken.

De zachte voorwerpen **NIET** bleken of laten stomen.

Gebruik **GEEN** onverdund neutraal schoonmaakmiddel, benzine of andere organische materialen om het verbeterde kinderzitje te wassen. Dat kan het verbeterde kinderzitje beschadigen.

De zachte onderdelen **NIET** draaien voor drogen met veel kracht. Dit kan kreuken achterlaten in de zachte onderdelen.

Laat zachte onderdelen hangend drogen in de schaduw.

Haal het verbeterde kinderzitje uit de autostoel als het voor langere tijd niet wordt gebruikt.

IMPORTANTE!
CONSERVARE LE ISTRUZIONI PER
FUTURE CONSULTAZIONI:
LEGGERE ATTENTAMENTE

Indice

Informazioni sul prodotto	51
Registrazione del prodotto	
Garanzia	
Contatto	
Requisiti di utilizzo da parte del bambino	52
Elenco parti	53
Avvertenze	54
Configurazione del prodotto	55
Uso del prodotto	55
Rimozione e montaggio del rivestimento imbottito	60
Pulizia e manutenzione	60

Informazioni sul prodotto

Numero modello: _____

Prodotto in (data): _____

Registrazione del prodotto

Inserire le precedenti informazioni. Numero modello e Prodotto in (data) si trovano sul retro del TRES lx.

Per registrare il prodotto, visitare il sito:

www.nunababy.com

Fare clic sul link "Registra dispositivo" nella homepage.

Garanzia

Abbiamo progettato appositamente i nostri prodotti di alta qualità in modo che crescano con il bambino e con la famiglia. Poiché crediamo nel nostro prodotto, i meccanismi sono coperti da una garanzia personalizzata per prodotto che comincia dal giorno dell'acquisto. Al momento di contattarci, sono necessari la prova d'acquisto, il numero di modello e la data di produzione.

Per informazioni sulla garanzia, visitare il sito:

www.nunababy.com

Fare clic sul link "Garanzia" nella homepage.

Contatto

Per la sostituzione di parti, manutenzione o domande sulla garanzia, contattare il dipartimento di assistenza al cliente.

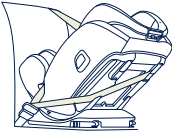
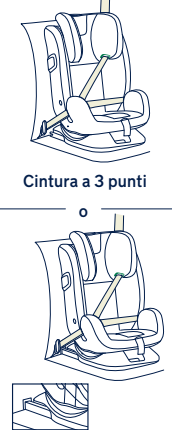
info@nunababy.com

www.nunababy.com

Requisiti di utilizzo da parte del bambino

Questo prodotto è adatto per l'uso con bambini con i seguenti requisiti:

! **IMPORTANTE: NON UTILIZZARLO NEL SENSO DI MARCIA PRIMA CHE IL BAMBINO SUPERI I 15 MESI DI ETÀ (fare riferimento alle istruzioni)**

Dimensioni del bambino	Modalità di installazione	Figura per l'installazione	Età di riferimento	Posizione del seggiolino	Istruzioni per l'insero comodo
40 cm-105 cm/ ≤22kg	Modalità contraria al senso di marcia	 Cintura a 3 punti	<4 anni	Posizione 5-6	Si consiglia di utilizzare l'insero comodo completo finché il bambino non raggiunge i 60 cm o non diventa troppo grande per l'insero. L'insero comodo aumenta la protezione dagli impatti laterali.
100 cm-145 cm/ 15-36 kg	Modalità in senso di marcia	 Cintura a 3 punti o Cintura a 3 punti e attacco ISO Connector™	Da 3 a 12 anni	Posizione 1-4	Rimuovere gli inserti comodi e conservare la cintura in luoghi adeguati

Modalità contraria al senso di marcia

Installazione con cintura a 3 punti

1 - È un sistema di ritenuta per bambini migliorato allacciato universale. È omologato alla Normativa UN N. 129, per l'uso principale in "posizioni dei sedili universali", come indicato dai produttori dei veicoli nel manuale dell'utente del veicolo.

2 - In caso di dubbi, consultare il produttore o il rivenditore del sistema di ritenuta per bambini migliorato.

Modalità in senso di marcia

Installazione con cintura a 3 punti o cintura a 3 punti e ISO Connector™

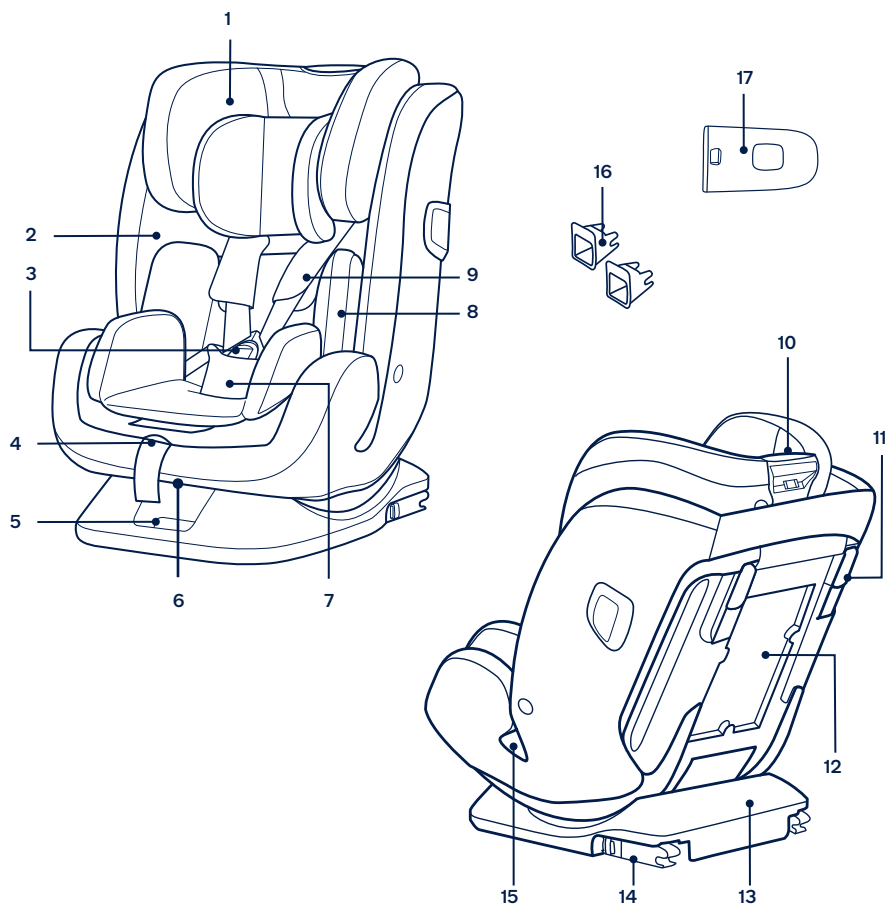
1 - È un sistema di ritenuta per bambini migliorato con rialzo i-Size. È omologato alla Normativa UN No.129, per l'uso principale in "posizioni dei sedili i-Size", come indicato dai produttori dei veicoli nel manuale dell'utente del veicolo.

2 - In caso di dubbi, consultare il produttore o il rivenditore del sistema di ritenuta per bambini migliorato.

3 - Quando l'altezza applicabile è di 135 cm-145 cm, appartiene a "Seggiolino con rialzo per veicolo specifico".

Elenco parti

- | | | | |
|---|--|----|---|
| 1 | Poggiatesta | 10 | Leva di regolazione poggiatesta |
| 2 | Imbottitura | 11 | Blocco |
| 3 | Fibbia | 12 | Vano di conservazione del manuale di istruzioni |
| 4 | Regolatore | 13 | Base |
| 5 | Pulsante di regolazione attacco ISO Connector™ | 14 | Attacco ISOFIX (ISO Connector™) |
| 6 | Maniglia di regolazione dell'inclinazione | 15 | Fessure per la cintura addominale del veicolo |
| 7 | Coperture dell'imbracatura spartigambe | 16 | Guide ISO Connector™ |
| 8 | Inserto comodo | 17 | Protezione da impatto laterale |
| 9 | Coperture cintura per le spalle | | |



⚠ AVVERTENZA

PRESTARE attenzione in modo che gli oggetti rigidi e le parti in plastica del sistema di ritenuta per bambini migliorato siano posizionati e installati in modo che non rischiano di rimanere incastrati in un sedile spostabile o nella portiera del veicolo.

NON usare sistemi di ritenuta per bambini migliorati in modalità contraria al senso di marcia nei sedili in cui è installato un airbag anteriore attivo.

Per utilizzare il sistema di ritenuta per bambini migliorato in conformità alla normativa UN N. 129, il bambino deve soddisfare i seguenti requisiti.

Modalità contraria al senso di marcia:

Altezza del bambino 40 cm-105 cm/Peso del bambino max. 22 kg:

Modalità in senso di marcia:

Altezza bambino 100cm-145cm

IMPORTANTE: NON UTILIZZARLO NEL SENSO DI MARCIA PRIMA CHE IL BAMBINO SUPERI I 15 MESI DI ETÀ (fare riferimento alle istruzioni).

Se usato per altezze tra 135 cm e 145 cm (seggiolino con rialzo), potrebbe non adattarsi a tutti i veicoli, a causa di una posizione bassa del tetto del veicolo sul lato.

Il sistema di ritenuta per bambini migliorato potrebbe non essere adatto a tutti i veicoli approvati se utilizzato in una di queste posizioni.

Le cinghie che tengono il sistema di ritenuta per bambini migliorato sul veicolo devono essere strette. Le cinghie che trattengono il bambino devono essere regolate sul corpo del bambino e le cinghie non devono essere attorcigliate.

NON utilizzare alcun carico sui punti di contatto diversi da quelli descritti nelle istruzioni e contrassegnati sul sistema di ritenuta per bambini migliorato.

Dopo aver messo il bambino nel sistema di ritenuta per bambini, utilizzare correttamente la cintura di sicurezza. È estremamente importante che la cinghia addominale sia indossata in basso in modo da sostenere il bacino.

Il sistema di ritenuta del bambino migliorato deve essere sostituito se è stato sottoposto a violenti sollecitazioni in caso di incidente. Un incidente può causare danni impossibili da notare.

Considerare il pericolo di apportare modifiche o aggiunte al dispositivo senza approvazione dell'autorità competente, e il pericolo di non seguire attentamente le istruzioni a di installazione fornite dal produttore del sistema di ritenuta del bambino migliorato.

Tenere il sistema di ritenuta per bambini migliorato lontano dalla luce del sole per evitare di causare ustioni alla pelle del bambino. Toccare sempre il sistema di ritenuta per bambini migliorato prima di far sedere il bambino.

NON lasciare mai il bambino incustodito nel sistema di ritenuta per bambini migliorato.

I bagagli o altri oggetti che potrebbero causare lesioni in caso di collisione devono essere fissati adeguatamente.

Il sistema di ritenuta per bambini migliorato **NON DEVE ESSERE UTILIZZATO** senza il rivestimento imbottito.

Il rivestimento imbottito deve essere sostituito con altri consigliati dal produttore, in quanto costituiscono parte integrante delle prestazioni del sistema di ritenuta.

Prima di acquistare questo sistema di ritenuta per bambini migliorato, assicurarsi che possa essere installato correttamente nel veicolo.

NESSUN sistema di ritenuta per bambini migliorato è in grado di garantire una protezione completa da lesioni in caso di incidenti. Tuttavia, l'uso corretto del sistema di ritenuta per bambini migliorato riduce il rischio di lesioni gravi o mortali per il bambino.

NON installare il sistema di ritenuta per bambini migliorato senza osservare le istruzioni del presente manuale. Si potrebbero causare lesioni o decesso.

NON utilizzare questo sistema di ritenuta per bambini migliorato se presenta danni o parti mancanti.

NON vestire il bambino con indumenti troppo grandi, in quanto si potrebbe impedire al bambino di essere correttamente e saldamente allacciato con le bretelle e la cintura spartigambe.

Configurazione del prodotto

Dubbi sull'installazione

NON installare questo sistema di ritenuta per bambini migliorato su sedili dei veicoli con cinture addominali. (1)

Questo sistema di ritenuta per bambini migliorato è adatto per sedili dei veicoli dotati di cinture di sicurezza retrattili a 3 punti. (2) Se il veicolo dispone di punti di ancoraggio ISOFIX, si consiglia di collegare l'attacco ISO Connector™ ai punti di ancoraggio ISOFIX (modalità in senso di marcia). (3)

NON usare sistemi in modalità contraria al senso di marcia nel sedile passeggero con un airbag anteriore attivo. (4) Potrebbero verificarsi lesioni gravi o il decesso. Per ulteriori informazioni, fare riferimento al manuale del veicolo.

NON installare questo sistema di ritenuta per bambini migliorato su sedili dei veicoli rivolti lateralmente o verso la parte posteriore rispetto al senso di marcia del veicolo.

Fare riferimento al manuale del veicolo per le posizioni di installazioni consigliate.

Questo sistema di ritenuta per bambini migliorato deve essere installato sul sedile posteriore del veicolo. (4)

NON installarlo su seggiolini mobili del veicolo durante l'installazione.

Uso del prodotto

Usare la protezione da impatto laterale

1 - Il sistema di ritenuta per bambini migliorato è fornito con protezione da impatto laterale rimovibile. Questa protezione da impatto laterale deve essere utilizzata sul lato della porta del veicolo per la migliore protezione. Deve essere collegato all'esterno del sistema di ritenuta per bambini migliorato. Installazione mostrata nella fig. (5)

2 - Premere il pulsante di rilascio per rimuovere la protezione da impatto laterale. (6)

Regolazione della reclinazione

1 - Premere la maniglia di regolazione della reclinazione e regolare il sistema di ritenuta per bambini migliorato nella posizione corretta. (7)

2 - Gli angoli di reclinazione sono mostrati in (8).

! La modalità contraria al senso di marcia dispone di due diversi angoli di reclinazione 5-6.

! La modalità in senso di marcia dispone di quattro diverse angoli di reclinazione 1-4.

Allineare l'indicatore di reclinazione superiore con i numeri inferiori per la posizione di inclinazione desiderata.

Regolazione dell'altezza del poggiatesta e delle bretelle

Portare il poggiatesta e le cinture per le spalle all'altezza appropriata per le dimensioni del bambino.

! Se utilizzate in modalità contraria al senso di marcia, le fessure delle bretelle devono essere all'altezza o appena sotto le spalle del bambino. (9)-1

Se le cinture per le spalle non si trovano all'altezza appropriata, in caso di collisione il bambino rischia di essere sbalzato fuori dal sistema di ritenuta per bambini migliorato.

! Se utilizzate in modalità in senso di marcia, le guide della cintura per le spalle devono essere all'altezza o appena sotto le spalle del bambino. (9)-2

Tirare la leva di regolazione del poggiatesta (10)-1, quindi tirare verso l'alto o spingere verso il basso il poggiatesta finché non scatta in una delle 10 posizioni.

Le posizioni del poggiatesta sono mostrate in (10)-2.

! Quando il poggiatesta viene regolato verso l'alto (dalla 6ª alla 9ª posizione), i lati del sistema di ritenuta per bambini si spostano automaticamente verso l'esterno per garantire più spazio per le spalle.

Modalità contraria al senso di marcia

(Altezza del bambino 40 cm-105 cm/Peso del bambino ≤22 kg)

! Montare prima il sistema di ritenuta per bambini migliorato sul sedile posteriore della vettura e riporre poi il bambino nel sistema di ritenuta per bambini migliorato.

Installazione per modalità contraria al senso di marcia

! Regolare il sistema di ritenuta per bambini all'angolo di reclinazione desiderato (2 posizioni per la modalità contraria al senso di marcia). Allineare l'indicatore di reclinazione superiore con uno dei numeri inferiori in bianco.

! Prima di installare il sistema di ritenuta per bambini migliorato, assicurarsi di regolare le bretelle all'altezza appropriata.

! Durante l'installazione e la regolazione delle cinture di sicurezza, assicurarsi che la sezione spalle e la sezione addominale delle cinture di sicurezza non siano attorcigliate e non impediscano quindi il corretto funzionamento delle cinture di sicurezza.

1 - Far passare la cintura addominale del veicolo attraverso le apposite fessure, quindi inserire la linguetta della fibbia del veicolo nella fibbia stessa. (11)(12)

! La cintura addominale del veicolo deve passare sotto l'inserto comodo.

2 - Far passare la cintura per le spalle attraverso due fessure della cintura del veicolo rivolta verso il retro sul retro del sistema di ritenuta per bambini migliorato. (13)

! Aprire il bloccaggio della cintura e inserire la cintura per le spalle. (14)

! Assicurarsi che il bloccaggio della cintura sia completamente chiuso quando non è in uso per evitare lesioni o danni alla tappezzeria del veicolo.

3 - Premere saldamente il sistema di ritenuta per bambini migliorato e tirare la cintura per le spalle del veicolo per fissare in modo sicuro il sistema di ritenuta per bambini migliorato. (15)-1 (15)-2

! Assicurarsi di chiudere il blocco dopo aver verificato che il sistema di ritenuta per bambini migliorato sia fissato saldamente. (15)-3 (15)-4

! Tenere lontane le dita quando si chiudono i fermagli di bloccaggio per evitare lesioni.

! Non è possibile utilizzare il sistema di ritenuta per bambini migliorato se la fibbia della cintura di sicurezza (estremità femmina della fibbia) è troppo lunga per ancorare in modo sicuro il sistema di ritenuta per bambini migliorato.

! Controllare di nuovo che il sistema di ritenuta per bambini migliorato sia installato saldamente e non si muova sul sedile del veicolo.

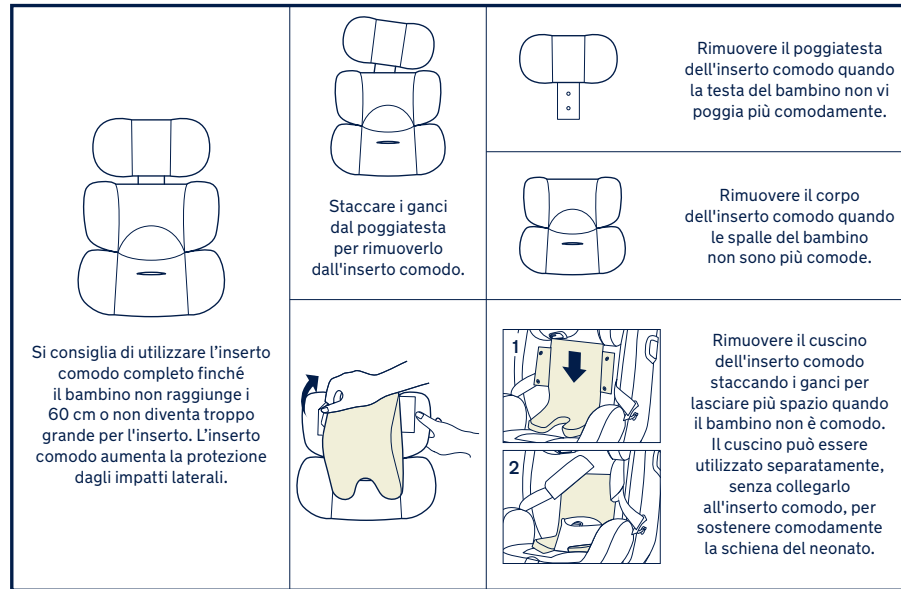
La cintura di sicurezza del veicolo correttamente assemblata è mostrata in (16)

Assicurarsi che la cintura addominale del veicolo passi attraverso la relativa fessura. (16)-1

! Assicurarsi che la cintura per le spalle del veicolo passi attraverso la relativa fessura rivolta verso il retro. (16)-2

! Innestare correttamente la linguetta delle cinture nell'apposita fibbia, come da (16)-3.

Protezione del bambino nel sistema di ritenuta per bambini migliorato **Uso dell'inserto comodo**



- 1 - Premendo il pulsante di regolazione cintura, tirare completamente le due cinture per le spalle del sistema di ritenuta per bambini migliorato. (17)
 - 2 - Premere il pulsante per sganciare la fibbia. (18)
 - 3 - Posizionare le linguette della fibbia contro l'area magnetica sul lato esterno del sistema di ritenuta per bambini in modo che le linguette siano tenute in posizione. (19)
 - 4 - Agganciare la fibbia.
L'indicatore verde mostra che è stato allacciato in posizione. (20)
 - 5 - Tirare verso il basso il regolatore per regolarlo alla lunghezza adeguata e assicurarsi che il bambino sia perfettamente allacciato. (21)
- ! Una volta sistemato il bambino nel seggiolino, verificare che le cinture per le spalle siano all'altezza adeguata.
 - ! Mantenere sempre il bambino protetto con la cintura e stretto correttamente rimuovendo eventuali allentamenti.

Modalità in senso di marcia

(Altezza bambino 100 cm-145 cm)

Installazione per modalità in senso di marcia

- ! Quando si utilizza in modalità in senso di marcia, rimuovere l'inserto comodo e posizionare le bretelle, la fibbia e le linguette delle fibbie nei vani di conservazione della cintura.
- ! Prima di riporre le bretelle e la fibbia nei rispettivi vani, regolare le cinture per le spalle alla lunghezza corretta.

- ! Regolare il sistema di ritenuta per bambini migliorato nella posizione di reclinazione desiderata. (4 posizioni per la modalità in senso di marcia) Allineare l'indicatore di reclinazione superiore con uno dei numeri inferiori in bianco.

- ! Durante l'utilizzo e la regolazione della cintura di sicurezza del veicolo, verificare che non vi siano torsioni nella cintura di sicurezza del veicolo che potrebbero causare il fissaggio errato del bambino.

- 1 - Premere il pulsante per sganciare la fibbia (18).
 - 2 - Rimuovere la cintura spartigambe come mostrato in (37), quindi l'inserto comodo.
- ! Non utilizzare l'inserto comodo quando si installa il sistema di ritenuta per bambini migliorato in modalità in senso di marcia.
- 3 - Staccare i ganci. (22)-1
 - 4 - Sollevare la linguetta superiore verso l'alto e tirare la linguetta inferiore in avanti, quindi riporre le bretelle negli appositi vani. (22)-2
 - 5 - Tirare la fibbia sul retro dell'imbottitura del sedile, quindi riporre la fibbia e le linguette della fibbia nei rispettivi vani. (22)-3 (22)-4
 - 6 - Fissare di nuovo i ganci per ripristinare l'imbottitura del sedile. L'imbottitura del sedile recuperata viene mostrata in (23).

Installazione dell'attacco ISO Connector™

- 1 - Inserire le guide dell'attacco ISO Connector™ per agevolare l'installazione. Le guide dell'attacco ISO Connector™ possono proteggere la superficie del sedile del veicolo ed evitare che si strappino. (24)
 - 2 - Estendere gli attacchi ISO Connector™ premendo il pulsante di regolazione (25) ed estraendo gli attacchi. (26)
- ! Assicurarsi che entrambi gli attacchi ISO Connector™ siano saldamente fissati ai relativi punti di ancoraggio dell'attacco ISOFIX. Il colore degli indicatori su entrambi gli attacchi ISO Connector™ deve essere completamente verde. (27)
 - ! Gli attacchi ISO Connector™ devono essere fissati e bloccati sui punti di ancoraggio ISOFIX.
 - ! Assicurarsi che il sistema di ritenuta per bambini migliorato sia installato saldamente tirando entrambi gli attacchi ISO Connector™.
- 3 - Premere il pulsante di regolazione dell'attacco ISO Connector™ e spingere di nuovo il sistema di ritenuta per bambini migliorato contro il sedile del veicolo finché non è stretto. (28)

Rimozione e conservazione degli attacchi ISO Connector™

- 1 - Per rimuovere dal veicolo, premere il pulsante di regolazione dell'attacco ISO Connector™(29)-1 e tirare di nuovo la base dal sedile. (29)-2
- 2 - Per rilasciare gli attacchi ISO dai punti di ancoraggio ISOFIX del veicolo, tenere premuto il pulsante anteriore (30-1), mentre si preme quello posteriore (30-2).
- 3 - Per ritrarre gli attacchi ISO Connector™ nella base, premere il pulsante di regolazione dell'attacco ISO Connector™. (31)

Protezione del bambino nel sistema di ritenuta per bambini

- 1 - Controllare se le guide della cintura per le spalle del veicolo sono all'altezza corretta quando il bambino è nel sistema di ritenuta per bambini migliorato.
 - 2 - Posizionare la cintura per le spalle attraverso la relativa guida e far passare la cintura addominale attraverso le relative fessure della cintura addominale del veicolo. Inserire la fibbia del veicolo e tirare la cintura del veicolo per assicurarsi che sia serrata. (32)(33)
- ! La cintura per le spalle deve passare attraverso la relativa guida.
 - ! La cintura addominale deve passare attraverso le relative fessure.

- ! **NON** usare una cintura del veicolo con 2 punti di fissaggio (solo cintura addominale) per bloccare il bambino.
- ! **NON** utilizzare la cintura per le spalle allentata o posizionata sotto il braccio.
- ! **NON** utilizzare la cintura per le spalle dietro le spalle del bambino.
- ! **NON** consentire al bambino di scivolare nel sistema di ritenuta per bambini migliorato in caso di strangolamento.

Con cintura del veicolo (cintura a 3 punti) e attacco ISO Connector™

- 1 - L'installazione degli attacchi ISO Connector™ è mostrata in fig (24) - (28).
 - 2 - Sistemare il bambino nel sistema di ritenuta per bambini migliorato e verificare che le guide della cintura per le spalle siano all'altezza adeguata.
 - 3 - Posizionare la cintura per le spalle attraverso la relativa guida e far passare la cintura addominale attraverso le relative fessure della cintura addominale del veicolo. Inserire la fibbia del veicolo e tirare la cintura del veicolo per assicurarsi che sia serrata. (32)(33)
 - 4 - Il corretto montaggio della cintura a 3 punti e dell'attacco ISO Connector™ è indicato in (34).
 - ! Assicurarsi che entrambi gli attacchi ISO Connector™ siano saldamente fissati ai punti di ancoraggio dell'attacco ISOFIX del veicolo. Il colore degli indicatori su entrambi gli attacchi ISO Connector™ deve essere completamente verde. (34)-1
 - ! Assicurarsi che il sistema di ritenuta per bambini migliorato sia installato saldamente tirando entrambi gli attacchi ISO Connector™.
 - ! La cintura per le spalle deve passare attraverso la relativa guida. (34)-3
 - ! La cintura addominale deve passare attraverso le relative guide.
 - ! Non è possibile utilizzare il sistema di ritenuta per bambini migliorato se la fibbia della cintura di sicurezza (estremità femmina della fibbia) è troppo lunga per ancorare in modo sicuro il sistema di ritenuta per bambini migliorato. (34)-2
- ! **NON** usare una cintura del veicolo con 2 punti di fissaggio (solo cintura addominale) per bloccare il bambino.
 - ! **NON** utilizzare la cintura per le spalle allentata o posizionata sotto il braccio.
 - ! **NON** utilizzare la cintura per le spalle dietro le spalle del bambino.
 - ! **NON** consentire al bambino di scivolare nel sistema di ritenuta per bambini migliorato in caso di strangolamento.

Rimozione e montaggio del rivestimento imbottito

Vedere le immagini (35)-(43)

Per montare il rivestimento imbottito, invertire le procedure di cui sopra.

Pulizia e manutenzione

Conservare in un luogo inaccessibile per i bambini.

Lavare il rivestimento imbottito con acqua fredda sotto i 30°C.

NON stirare il rivestimento imbottito.

NON candeggiare e non lavare a secco il rivestimento imbottito.

NON usare un detergente neutro non diluito, benzina o altri solventi organici per lavare il sistema di ritenuta per bambini migliorato. Potrebbero danneggiare il sistema di ritenuta per bambini migliorato.

NON attorcigliare il rivestimento imbottito per asciugare con grande forza. Si potrebbero lasciare grinze sul rivestimento imbottito.

Appendere il rivestimento imbottito all'ombra per asciugare.

Rimuovere il sistema di ritenuta per bambini migliorato dal sedile del veicolo se non viene usato per un lungo periodo di tempo.

¡IMPORTANTE!
GUARDE ÉSTAS INSTRUCCIONES
PARA FUTURAS CONSULTAS:
LÉALAS DETENIDAMENTE

Índice

Información del producto	63
Registro del producto	
Garantía	
Contacto	
Requisitos de los niños para su uso	64
Lista de piezas	65
Advertencia	66
Montaje del producto	67
Uso del producto	67
Desmontaje y montaje del acolchado	71
Limpieza y mantenimiento	71

Información del producto

Número de modelo: _____

Fabricado el (fecha): _____

Registro del producto

Rellene la información anterior. El número de modelo y la fecha de fabricación se encuentran en la parte trasera del TRES lx.

Para registrar el producto, visite:

www.nunababy.com

Haga clic en el vínculo "Registrar equipo" de la página principal.

Garantía

Hemos diseñado a propósito nuestros productos de alta calidad para que puedan crecer tanto con su hijo como con su familia. Como respaldamos nuestros productos, nuestros artículos están cubiertos por una garantía a medida para cada producto, a partir de la fecha en la que fue adquirido. Tenga preparada la prueba de compra, el número de modelo y la fecha de fabricación cuando se ponga en contacto con nosotros.

Para obtener información acerca de la garantía, visite:

www.nunababy.com

Haga clic en el enlace "Garantía" en la página de inicio.

Contacto

Para obtener información sobre piezas de repuesto y servicio técnico, o para resolver dudas acerca de la garantía adicional, póngase en contacto con nuestro departamento de atención al cliente.

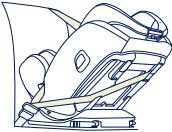

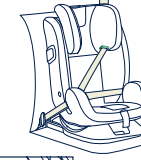
info@nunababy.com

www.nunababy.com

Requisitos de los niños para su uso

Este producto es apto para su uso con niños que cumplan los siguientes requisitos:

! **IMPORTANTE - NO UTILIZAR ORIENTADO HACIA DELANTE ANTES DE LOS 15 MESES**
(consulte las instrucciones)

Tamaño del niño	Modo de instalación	Figura de la instalación	Edad de referencia	Posición del asiento	Instrucciones de accesorio de confortabilidad
40 cm-105 cm/ ≤22 kg	Modo orientado hacia atrás	 Cinturón de 3 puntos	<4 años	Posición 5-6	Le recomendamos que utilice el accesorio de confortabilidad completo cuando el bebé mida menos de 60 cm de altura; se puede usar hasta que se le quede pequeño. El accesorio de confortabilidad aumenta la protección contra el impacto lateral.
100 cm-145 cm/ 15-36 kg	Modo orientado hacia adelante	 Cinturón de 3 puntos o  Cinturón de 3 puntos e ISO Connector™	3 a 12 años	Posición 1-4	Quite el accesorio de confortabilidad y guarde el arnés en las ubicaciones de almacenamiento adecuadas

Modo orientado hacia atrás

Para la instalación con cinturón de 3 puntos de sujeción

- 1 - Este es un sistema de sujeción para niños mejorado con cinturón universal. Está aprobado conforme a la Norma UN N.º 129, para el uso principal en "posiciones de asiento universales" como indican los fabricantes de vehículos en el manual del usuario del vehículo.
- 2 - En caso de duda, consulte al fabricante o al distribuidor del dispositivo de sujeción para niños mejorado.

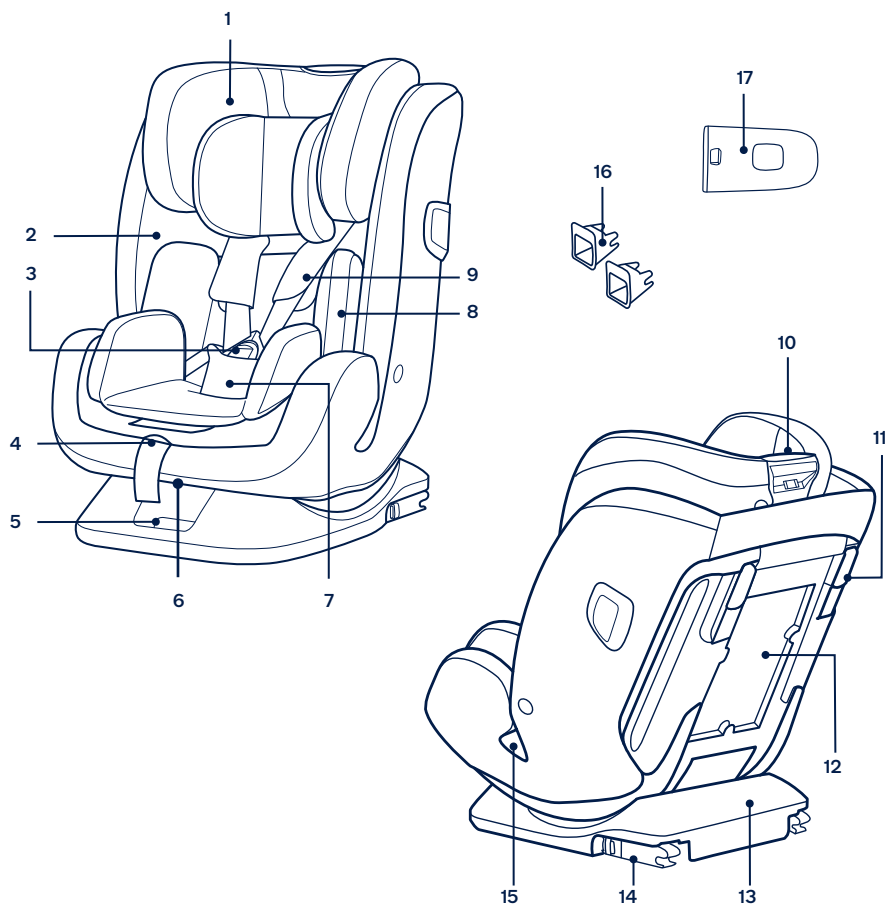
Modo orientado hacia adelante

Para la instalación con cinturón de 3 puntos o con dicho cinturón e ISO Connector™

- 1 - Este es un sistema de sujeción para niños mejorado con asiento elevador i-Size. Está aprobado conforme a la Norma UN N.º 129, para el uso principal en "posiciones de asiento i-Size" como indican los fabricantes de vehículos en el manual del usuario del vehículo.
- 2 - En caso de duda, consulte al fabricante o al distribuidor del dispositivo de sujeción para niños mejorado.
- 3 - Cuando la altura aplicable es de 135 cm-145 cm, pertenece a "Asiento elevador de vehículo específico".

Lista de piezas

- | | |
|---|--|
| 1 Reposacabezas | 10 Palanca de ajuste del reposacabezas |
| 2 Acolchado del asiento | 11 Cierre |
| 3 Hebilla | 12 Compartimento de almacenamiento del manual de instrucciones |
| 4 Ajustador de la cincha | 13 Base |
| 5 Botón ajustador ISO Connector™ | 14 Accesorio ISOFIX (ISO Connector™) |
| 6 Asa de ajuste de la inclinación | 15 Ranuras para el cinturón de la cintura del vehículo |
| 7 Protector del arnés para la entrepierna | 16 Guías ISO Connector™ |
| 8 Accesorio de confortabilidad | 17 Protección contra impactos laterales |
| 9 Protector del arnés de los hombros | |



⚠ ADVERTENCIA

TENGA cuidado para que los elementos rígidos y las piezas de plástico del dispositivo de sujeción para niños mejorado se coloquen e instalen de manera que no puedan quedar atrapados por un asiento móvil o en la puerta del vehículo.

NO use los sistemas de sujeción para niños mejorados con orientación hacia atrás en asientos donde haya un airbag frontal activo instalado.

Para utilizar este dispositivo de sujeción para niños mejorado de acuerdo con la norma n.º 129 de la ONU, el niño deberá cumplir los siguientes requisitos:

Posición hacia atrás:

Altura del niño: 40 cm-105 cm/Peso del niño: ≤ 22 kg;

Posición hacia adelante:

Altura del niño: 100-145 cm

IMPORTANTE - NO UTILIZAR ORIENTADO HACIA DELANTE ANTES DE LOS 15 MESES (consulte las instrucciones).

Cuando se utiliza para estaturas de entre 135 cm y 145 cm (asiento elevador) podría no caber en todos los vehículos debido a una baja posición del techo del vehículo en el suelo.

El respaldo del niño mejorado puede no caber en todos los vehículos aprobados cuando se utiliza en una de estas posiciones.

Todas las correas que sujetan el dispositivo de sujeción para niños mejorado al vehículo deben estar ajustadas. Todas las correas que sujetan al niño deben estar ajustadas al cuerpo de este y no retorcerse.

NO utilice ningún punto de contacto de soporte de carga distinto a los que se describen en las instrucciones y aparecen en el dispositivo de sujeción para niños mejorado.

Una vez colocado el niño en el dispositivo de sujeción para niños mejorado, el cinturón de seguridad se deberá utilizar correctamente. Asegúrese de que ninguna correa de seguridad quede demasiado baja, de forma que la pelvis quede firmemente sujeta.

Este dispositivo de sujeción para niños mejorado se debe reemplazar si ha estado sometido a tensiones violentas en un accidente. Un accidente puede causar daños no visibles en dichos elementos.

Considere el peligro de realizar alteraciones o modificaciones al dispositivo sin la aprobación de la autoridad adecuada y el peligro de no seguir estrictamente las instrucciones de instalación facilitadas por el fabricante del dispositivo de sujeción para niños mejorado.

Mantenga el dispositivo de sujeción para niños mejorado alejado de la luz directa del sol ya que, si no lo hace, podría alcanzar temperaturas demasiado altas para la piel de su hijo. Toque siempre el dispositivo de sujeción para niños mejorado antes de colocar al niño en él.

NO deje a su hijo sin supervisión en este sistema de sujeción para niños mejorado.

Sujete correctamente el equipaje y cualquier otro objeto susceptible de provocar lesiones en caso de colisión.

NO UTILICE el sistema de sujeción para niños mejorado sin el acolchado.

El acolchado no deberá sustituirse por uno que no esté recomendado por el fabricante, ya que el acolchado constituye una parte esencial del funcionamiento del dispositivo de sujeción.

Compruebe si el sistema de sujeción para niños se puede instalar correctamente en el vehículo antes de comprarlo.

NINGÚN dispositivo de sujeción para niños mejorado puede garantizar una protección total contra lesiones en caso de accidente. Sin embargo, un uso adecuado de este dispositivo de sujeción para niños mejorado reducirá el riesgo de lesiones graves o, incluso, de muerte del niño.

NO instale este dispositivo de sujeción para niños mejorado sin seguir las instrucciones que se indican en este manual ya que, si las incumple, podría poner a su hijo en peligro de sufrir lesiones o, incluso, de muerte.

NO utilice este dispositivo de sujeción para niños mejorado si está dañado o si falta alguna de sus piezas.

NO coloque a su hijo con ropa suelta o de una talla mayor, ya que podría provocar que la sujeción del niño, mediante las correas de los arneses de los hombros y la correa de la pelvis entre las piernas, no sea firme y segura.

Montaje del producto

Consideraciones acerca de la instalación

NO instale este dispositivo de sujeción para niños mejorado en asientos de vehículo solo con cinturones de seguridad de cintura. **(1)**

Este dispositivo de sujeción para niños mejorado es adecuado para asientos de vehículos con cinturones de seguridad retráctiles con 3 puntos. **(2)** Si el vehículo tiene puntos de anclaje ISOFIX, le recomendamos encarecidamente que una el accesorio ISO Connector™ a los puntos de anclaje ISOFIX conjuntamente (modo orientado hacia adelante). **(3)**

NO use los sistemas con orientación hacia atrás en el asiento del pasajero con donde haya un airbag frontal activado. **(4)** Si lo hace, podrían producirse lesiones graves o, incluso, la muerte. Consulte el manual de usuario del vehículo para obtener más información.

NO instale este dispositivo de sujeción para niños mejorado en asientos de vehículo cuya posición esté orientada hacia un lado o hacia atrás con respecto a la dirección de conducción del vehículo.

Consulte el manual del propietario del vehículo para conocer las posiciones de instalación recomendadas o sugeridas.

Este asiento de sujeción para niños se debe instalar en el asiento trasero del vehículo. **(4)**

NO lo instale en asientos de vehículo que se muevan durante la instalación.

Uso del producto

Uso de la placa de protección contra impacto lateral

- 1 - El dispositivo de sujeción para niños mejorado se entrega con una protección contra impactos laterales desmontable. Esta protección contra impactos laterales debe usarse en el lado de la puerta del vehículo para conseguir la máxima protección. Debe estar conectado en el exterior del dispositivo de sujeción para niños mejorado. La instalación mostrada en la figura **(5)**.
- 2 - Presione el botón de liberación para quitar la protección contra impactos laterales. **(6)**

Ajuste de la reclinación

- 1 - Presione el asa de ajuste de la reclinación y ajuste el dispositivo de sujeción para niños mejorado hasta que la posición sea la adecuada. **(7)**
- 2 - Los ángulos de reclinación son los indicados en **(8)**.
 - ! El modo orientado hacia atrás tiene dos ángulos de reclinación **(5-6)**.
 - ! El modo orientado hacia adelante tiene cuatro ángulos de reclinación **(1-4)**.
Alinee el indicador de reclinación superior con los números inferiores de la posición de reclinación deseada.

Ajuste de la altura de los arneses de los hombros y el reposacabezas

Ajuste el reposacabezas y compruebe si la altura de los arneses de los hombros es la correcta, según la altura del niño.

- ! En modo orientado hacia atrás, las ranuras del arnés de los hombros deberán estar a la altura de los hombros del niño o ligeramente por debajo de estos. **(9)-1**
Si los arneses de los hombros no están a la altura adecuada, el niño podría salir despedido del dispositivo de sujeción para niños mejorado en el caso de que ocurra un accidente.

- ! En modo orientado hacia adelante, las guías del cinturón del hombro deberán estar a la altura de los hombros del niño o ligeramente por encima de estos. **(9)-2**

Apriete la palanca de ajuste del reposacabezas **(10)-1** al mismo tiempo que empuja hacia arriba o hacia abajo el reposacabezas hasta que haga clic en una de las 10 posiciones.

Las posiciones del reposacabezas se indican en la figura **(10)-2**.

- ! A medida que el reposacabezas se ajusta hacia arriba (desde la posición 6ª a la 9ª), los lados del dispositivo de sujeción para niños se mueven automáticamente hacia afuera para proporcionar más espacio para los hombros.

Modo orientado hacia atrás

(Altura del niño: 40 cm-105 cm/Peso del niño: ≤ 22 kg)

- ! Instale el dispositivo de sujeción para niños mejorado en el asiento trasero del vehículo y, a continuación, coloque al niño en dicho dispositivo.

Colocación del Modo orientado hacia atrás

- ! Ajuste el dispositivo de sujeción para niños hasta la posición de reclinación que desee (2 posiciones para el modo orientado hacia atrás). Alinee el indicador de reclinación superior con uno de los números blancos inferiores.
- ! Asegúrese de que los arneses de los hombros estén ajustados a una altura adecuada antes de instalar este dispositivo de sujeción para niños mejorado.
- ! Cuando instale y ajuste los cinturones de seguridad, asegúrese de que tanto el cinturón de los hombros como el de la cintura no estén retorcidos y no bloqueen los cinturones de seguridad para que puedan funcionar correctamente.

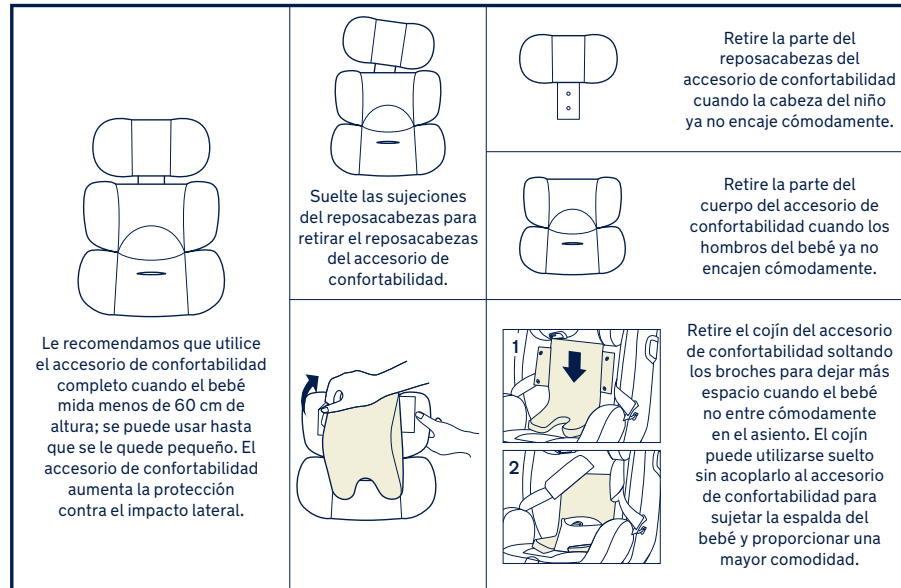
- 1 - Pase el cinturón de la cintura del vehículo a través de las ranuras diseñadas para dicho cinturón y, a continuación, acople el enganche de la hebilla del vehículo en la hebilla. **(11)(12)**
 - ! El cinturón de la cintura del vehículo debe pasar por debajo del accesorio de confortabilidad.
- 2 - Pase el cinturón de los hombros del vehículo a través de las dos ranuras de dicho cinturón con orientación hacia atrás situadas en la parte trasera del dispositivo de sujeción para niños mejorado. **(13)**
 - ! Abra el cierre e inserte el cinturón de los hombros a través del él. **(14)**
 - ! Asegúrese de que el cierre del cinturón esté completamente cerrado cuando no lo utilice para evitar lesiones o daños en la tapicería del vehículo.
- 3 - Presione el dispositivo de sujeción para niños mejorado hacia abajo firmemente y tire del cinturón de los hombros del vehículo para apretar dicho dispositivo de forma segura. **(15)-1 (15)-2**
 - ! Asegúrese de cerrar el cierre después de comprobar que el dispositivo de sujeción para niños mejorado esté firmemente sujeto. **(15)-3 (15)-4**
 - ! Mantenga los dedos alejados al cerrar los clips de bloqueo para evitar lesiones.
 - ! El dispositivo de sujeción para niños mejorado no puede utilizarse si la hebilla del cinturón de seguridad del vehículo (extremo hembra de la hebilla) es demasiado larga para sujetar con seguridad dicho dispositivo.
 - ! Verifique que el dispositivo de sujeción para niños mejorado esté bien instalado y no se mueve en el asiento del vehículo.

El cinturón del vehículo montado correctamente aparece en la figura **(16)**

Asegúrese de que el cinturón de la cintura del vehículo pasa por la ranura de dicho cinturón. **(16)-1**

- ! Asegúrese de que el cinturón de los hombros del vehículo pasa por la ranura del cinturón del vehículo orientado hacia atrás. **(16)-2**
- ! El enganche de la hebilla del vehículo deberá estar correctamente sujeto con la hebilla, como se muestra en la imagen **(16)-3**.

Sujetar al niño en el dispositivo de sujeción para niños mejorado **Uso del accesorio de confortabilidad**



- 1 - Mientras presiona el botón de ajuste del arnés, tire totalmente de los dos arneses de los hombros del dispositivo de sujeción para niños mejorado. (17)
 - 2 - Pulse el botón rojo para soltar la hebilla. (18)
 - 3 - Coloque las lengüetas de la hebilla contra el área magnética del lado exterior del sistema de sujeción para niños para que dichas lengüetas se mantengan en su lugar. (19)
 - 4 - Enganche la hebilla.
El indicador verde muestra que se ha abrochado en su lugar. (20)
 - 5 - Tire de la cincha de ajuste hacia usted, ajústela a la longitud adecuada y asegúrese de que su hijo quede sujeto cómodamente. (21)
- ! Después de sentar al niño, vuelva a comprobar si los arneses de los hombros están a una altura adecuada.
 - ! Mantenga siempre al niño asegurado en el arnés y bien sujeto sin que haya holguras.

Modo orientado hacia adelante

(Altura del niño: 100 cm-145 cm)

Colocación del Modo orientado hacia adelante

- ! Cuando se utilice en el modo orientado hacia adelante, quite el accesorio de confortabilidad y coloque las correas del arnés para hombros, la hebilla y los enganches de las hebillas en los compartimentos de almacenamiento ocultos del arnés.
- ! Ajuste los arneses de los hombros hasta que la longitud sea la adecuada antes de guardar las correas de los hombros y la hebilla en sus compartimentos de almacenamiento.
- ! Ajuste el dispositivo de sujeción para niños mejorado a la posición de inclinación que desee. (4 posiciones para el modo orientado hacia adelante). Alinee el indicador de inclinación superior con uno de los números blancos inferiores.

! Mientras usa y ajusta el cinturón del asiento del vehículo, verifique que dicho cinturón no está retorcido, lo que podría provocar una mala sujeción del niño.

- 1 - Pulse el botón rojo para soltar la hebilla como se muestra en la figura (18).
- 2 - Retire la correa de la entrepierna tal y como se muestra en (37) y, a continuación, el accesorio de confortabilidad.
! Cuando instale el dispositivo de sujeción para niños mejorado en el modo orientado hacia adelante, no utilice el accesorio de confortabilidad.
- 3 - Quite los broches. (22)-1
- 4 - Levante la solapa superior en vertical y tire de la solapa inferior hacia delante. A continuación, guarde las correas de los hombros en sus compartimentos de almacenamiento. (22)-2
- 5 - Tire de la hebilla hacia la parte trasera del acolchado del asiento y, a continuación, guarde la hebilla y los enganches de la hebilla en sus respectivos compartimentos de almacenamiento. (22)-3 (22)-4
- 6 - Vuelva a acoplar los broches para recuperar el acolchado del asiento. El aspecto del acolchado del asiento recuperado será el mostrado en la figura (23).

Instalar los accesorios ISO Connector™

- 1 - Inserte guías del accesorio ISO Connector™ para facilitar la instalación. Las guías accesorio ISO Connector™ pueden proteger la superficie del asiento del vehículo contra roturas. (24)
- 2 - Extienda los accesorios ISO Connector™ pulsando el botón de ajuste (25) y extrayendo dichos accesorios. (26)
! Asegúrese de que ambos accesorios ISO Connector™ queden firmemente sujetos a sus puntos de anclaje ISOFIX. Los colores de los indicadores de ambos accesorios ISO Connector™ deberán aparecer completamente en verde. (27)
! Los accesorios ISO Connector™ se deben fijar y bloquear en los puntos de anclaje ISOFIX.
! Para asegurarse de que el dispositivo de sujeción para niños mejorado está instalado de forma segura, tire de ambos accesorios ISO Connector™.
- 3 - Pulse el botón de ajuste ISO Connector™ y empuje el dispositivo de sujeción para niños mejorado hacia atrás contra el asiento del vehículo hasta que quede sujeto. (28)

Quitar y almacenar los accesorios ISO Connector™

- 1 - Para quitarla del vehículo, presione el botón de ajuste ISO Connector™ (29)-1 y tire de la base para retirarla del asiento. (29)-2
- 2 - Para liberar los conectores ISO de los puntos de anclaje ISOFIX del vehículo, presione sin soltar el botón delantero (30-1), mientras presiona la parte de atrás (30-2).
- 3 - Para replugar los accesorios ISO Connector™ en la base, presione el botón de ajuste ISO Connector™. (31)

Sujetar al niño en el dispositivo de sujeción para niños

- 1 - Verifique si las guías del cinturón de los hombros del vehículo están a la altura adecuada cuando el niño esté en el dispositivo de sujeción para niños mejorado.
- 2 - Coloque el cinturón de los hombros a través de la guía de dicho cinturón y pase el cinturón de la cintura a través de las ranuras del cinturón de la cintura del vehículo. Enganche la hebilla del vehículo y tire del cinturón del vehículo para asegurarse de que esté apretado. (32)(33)
! El cinturón del hombro debe pasar por la guía del cinturón del hombro.
! El cinturón de la cintura pasa por las ranuras de dicho cinturón.
! NUNCA use un cinturón de vehículo de 2 puntos (solo cinturón para la cintura) para asegurar al niño.
! NO utilice el cinturón del hombro suelto o colocado debajo del brazo.

- ! **NO** coloque el cinturón del hombro por detrás de la espalda del niño.
- ! **NO** permita que el niño se escurra hacia abajo en el dispositivo de sujeción para niños mejorado para evitar el riesgo de estrangulamiento.

Con el cinturón del vehículo (cinturón de 3 puntos) e ISO Connector™

- 1 - La instalación de los accesorios ISO Connector™ se muestra en la figura (24) - (28).
- 2 - Coloque al niño en el dispositivo de sujeción para niños mejorado y compruebe si las guías del cinturón de los hombros están a la altura adecuada.
- 3 - Coloque el cinturón de los hombros a través de la guía de dicho cinturón y pase el cinturón de la cintura a través de las ranuras del cinturón de la cintura del vehículo. Enganche la hebilla del vehículo y tire del cinturón del vehículo para asegurarse de que esté apretado. (32)(33)
- 4 - El cinturón de 3 puntos de sujeción y el accesorio ISO Connector™ correctamente montados se muestran en la figura (34).
 - ! Asegúrese de que ambos accesorios ISO Connector™ queden firmemente sujetos a sus puntos de anclaje ISOFIX del vehículo. Los colores de los indicadores de ambos accesorios ISO Connector™ deberán aparecer completamente en verde. (34)-1
 - ! Para asegurarse de que el dispositivo de sujeción para niños mejorado está instalado de forma segura, tire de ambos accesorios ISO Connector™.
 - ! El cinturón del hombro debe pasar por la guía del cinturón del hombro. (34)-3
 - ! El cinturón de la cintura pasa por las guías de dicho cinturón.
 - ! El dispositivo de sujeción para niños mejorado no puede utilizarse si la hebilla del cinturón de seguridad del vehículo (extremo hembra de la hebilla) es demasiado larga para sujetar con seguridad dicho dispositivo. (34)-2
 - ! **NUNCA** use un cinturón de vehículo de 2 puntos (solo cinturón para la cintura) para asegurar al niño.
 - ! **NO** utilice el cinturón del hombro suelto o colocado debajo del brazo.
 - ! **NO** coloque el cinturón del hombro por detrás de la espalda del niño.
 - ! **NO** permita que el niño se escurra hacia abajo en el dispositivo de sujeción para niños mejorado para evitar el riesgo de estrangulamiento.

Desmontaje y montaje del acolchado

Consulte las imágenes (35) - (43)

Para montar el acolchado, siga los pasos anteriores en orden inverso.

Limpieza y mantenimiento

Guárdela en un lugar donde no pueda acceder el niño.

Lave el acolchado con agua fría por debajo de los 30 °C.

NO planche el acolchado.

NO limpie en seco ni utilice lejía para lavar el acolchado.

NO utilice detergentes neutros sin diluir, gasolina u otros disolventes orgánicos para limpiar el dispositivo de sujeción para niños mejorado. Si lo hace, puede dañar el dispositivo de sujeción para niños mejorado.

NO retuerza con demasiada fuerza el acolchado cuando lo seque. Podrían quedar arrugas en el acolchado.

Deje secar el acolchado en un lugar alejado de la luz directa del sol.

Retire este dispositivo de sujeción para niños mejorado del asiento del vehículo cuando no vaya a utilizarlo durante un periodo prolongado de tiempo.

NUNA International B.V. Nuna y todos los logotipos asociados son marcas comerciales.

IMPORTANTE!
GUARDE ESTAS INSTRUÇÕES
PARA REFERÊNCIA FUTURA:
LER ATENTAMENTE

Índice

Informações sobre o produto	75
Registo do produto	
Garantia	
Contactos	
Requisitos de utilização	76
Lista de componentes	77
Aviso	78
Montagem do produto	79
Utilização do produto	79
Retirar e montar a capa de tecido acolchoado	83
Limpeza e manutenção	83

Informações sobre o produto

Número de modelo: _____

Fabricado em (data): _____

Registo do produto

Preencha as informações acima. O número de modelo e a data de fabrico estão localizados na traseira da cadeira TRES lx.

Para registar o seu produto visite:

www.nunababy.com

Clique no link "Registar equipamento" na página inicial.

Garantia

Concebemos propositadamente os nossos produtos de alta qualidade para que possam acompanhar o crescimento do seu filho e da sua família. Porque confiamos nos nossos produtos, os nossos equipamentos estão cobertos por uma garantia personalizada por produto, a partir do dia da sua compra. Quando nos contactar, tenha disponíveis o comprovativo de compra, o número do modelo e a data de fabrico.

Para obter informações sobre a garantia, visite:

www.nunababy.com

Clique no link "Garantia" na página inicial.

Contactos

Para peças de substituição, assistência técnica ou outras questões sobre a garantia, contacte o nosso departamento de apoio ao cliente.

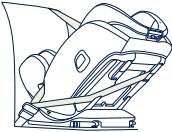

info@nunababy.com

www.nunababy.com

Requisitos de utilização

Este produto é adequado para crianças que cumpram os seguintes requisitos:

! **IMPORTANTE - NÃO UTILIZE O DISPOSITIVO VIRADO PARA A FRENTE SE A CRIANÇA TIVER UMA IDADE INFERIOR A 15 MESES (Consulte as instruções)**

Tamanho da criança	Modo de instalação	Figura para instalação	Idade de referência	Posição de utilização	Instruções para o redutor
40cm-105cm/ ≤22kg	Modo virado para a retaguarda	 cinto de segurança de 3 pontos de fixação	<4 anos	Posição 5-6	Recomendamos que utilize o redutor de conforto completo se o bebé tiver menos de 60 cm de altura ou até que o redutor esteja pequeno para o tamanho do bebé. O redutor aumenta a proteção contra impactos laterais.
100-145 cm/ 15-36 kg	Modo virado para a frente	 cinto de segurança de 3 pontos de fixação ou Cinto de segurança de 3 pontos de fixação e ISO Connector™	3 anos a 12 anos	Posição 1-4	Remove o redutor e guarde as alças num local de armazenamento adequado

Modo virado para a retaguarda

Para instalação com cinto de segurança de 3 pontos de fixação

- 1 - Este é um sistema avançado universal de retenção para crianças. Está aprovado ao abrigo do Regulamento N.º. 129 da ONU para utilização em veículos com "lugares sentados universais", como indicado no manual do utilizador do fabricante do veículo.
- 2 - Em caso de dúvida, consulte o fabricante ou o revendedor do sistema avançado de retenção para crianças.

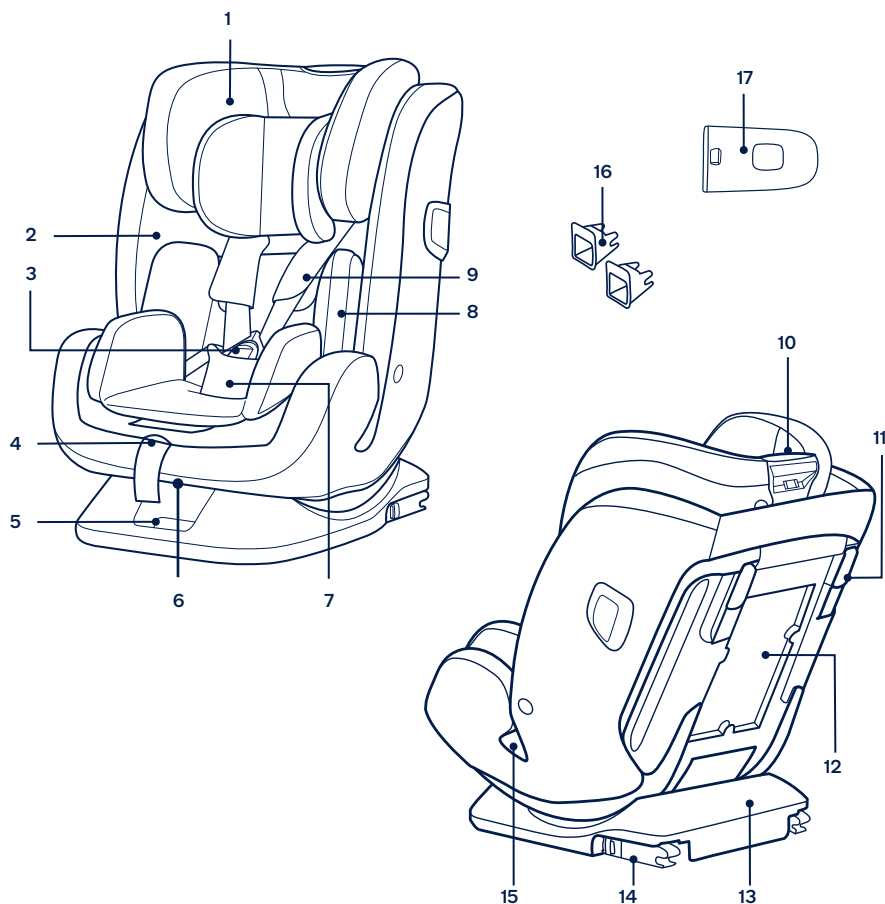
Modo virado para a frente

Para instalação com cinto de segurança de 3 pontos de fixação ou cinto de segurança de 3 pontos de fixação e ISO Connector™

- 1 - Esta é uma cadeira auto com sistema avançado de retenção para crianças i-Size. Está aprovado ao abrigo da Regulamentação UN N.º 129 para ser utilizado principalmente em veículos com "lugares sentados i-Size", como indicado pelo fabricante do veículo no manual do utilizador.
- 2 - Em caso de dúvida, consulte o fabricante ou o revendedor do sistema avançado de retenção para crianças.
- 3 - Quando a altura aplicável é 135-145 cm, pertence à categoria "Cadeira auto para veículo específico".

Lista de componentes

- | | | | |
|---|-----------------------------------|----|--|
| 1 | Apoio de cabeça | 10 | Alavanca de ajuste do apoio de cabeça |
| 2 | Capa de tecido acolchoado | 11 | Bloqueio |
| 3 | Fivela | 12 | Compartimento de armazenamento do manual de instruções |
| 4 | Botão de ajuste das correias | 13 | Base |
| 5 | Botão de ajuste do ISO Connector™ | 14 | Conector ISOFIX (ISO Connector™) |
| 6 | Pega de ajuste de reclinção | 15 | Ranhurinhas para a correia subabdominal |
| 7 | Capa do cinto das virilhas | 16 | Guias do ISO Connector™ |
| 8 | Redutor | 17 | Proteção contra impactos laterais |
| 9 | Capas das alças | | |



AVISO

TENHA atenção ao facto de as peças rígidas e plásticas do dispositivo avançado de retenção para crianças deverem estar localizadas e instaladas de forma a não ficarem presas num assento móvel ou na porta do veículo.

NÃO utilize sistemas de retenção para crianças virados para a retaguarda em lugares sentados onde esteja instalado um airbag frontal ativo.

Para utilizar este dispositivo avançado de retenção para crianças de acordo com a Regulamentação UN N.º 129, a criança deve cumprir os seguintes requisitos.

Virado para a retaguarda:

Altura da criança 40-105 cm/Peso máximo da criança 22 kg;

Virado para a frente:

Altura da criança 100-145 cm

IMPORTANTE - NÃO UTILIZE O DISPOSITIVO VIRADO PARA A FRENTE SE A CRIANÇA TIVER UMA IDADE INFERIOR A 15 MESES (Consulte as instruções).

Quando utilizado para crianças com alturas entre 135 e 145cm, o dispositivo (Assento elevatório) poderá não caber em todos os veículos, devido à altura da parte lateral do teto do veículo.

O dispositivo avançado de retenção para crianças poderá não caber em todos os veículos aprovados quando for utilizado numa destas posições.

Todas as correias do dispositivo avançado de retenção que fixam o dispositivo ao veículo devem estar apertadas. Todas as correias que seguram a criança devem estar ajustadas ao corpo da criança e não devem estar torcidas.

NÃO utilize quaisquer pontos de contacto de suporte de carga diferentes dos descritos nas instruções e marcados no dispositivo avançado de retenção para crianças.

Após a colocação da criança no dispositivo avançado de retenção, o cinto de segurança deve ser utilizado corretamente. Certifique-se de que a correia subabdominal está o mais baixo possível para que a cintura esteja bem segura.

Este dispositivo avançado de retenção para crianças deve ser substituído caso tenha sido sujeito a esforços violentos num acidente. Um acidente pode causar danos não visíveis.

NÃO devem ser efetuadas alterações ou adições ao dispositivo sem a aprovação de uma autoridade competente e devem ser seguidas as instruções de instalação fornecidas pelo fabricante do dispositivo avançado de retenção para crianças.

Mantenha este dispositivo avançado de retenção para crianças afastado de luz solar direta, caso contrário, este poderá atingir temperaturas demasiado elevadas para a pele da criança. Toque sempre no dispositivo avançado de retenção para crianças antes de colocar a criança.

NÃO deixe a criança sem supervisão no sistema avançado de retenção para crianças.

Todas as bagagens ou outros objetos que possam causar ferimentos em caso de colisão, devem estar corretamente fixos.

O sistema avançado de retenção para crianças **NÃO DEVE SER UTILIZADO** sem a capa de tecido acolchoado.

A capa de tecido acolchoado não deve ser substituída por qualquer outra que não seja recomendada pelo fabricante, pois é parte integrante do sistema de retenção.

Verifique se este dispositivo avançado de retenção para crianças pode ser instalado corretamente no seu veículo antes de o adquirir.

NENHUM dispositivo avançado de retenção para crianças pode garantir uma proteção total contra lesões num acidente. Contudo, a utilização apropriada deste dispositivo avançado de retenção para crianças reduzirá o risco de lesões graves ou morte da criança.

NÃO instale este dispositivo avançado de retenção para crianças sem seguir as instruções deste manual, pois poderá sujeitar a criança a riscos de lesão ou morte.

NÃO utilize este dispositivo avançado de retenção para crianças se o mesmo estiver danificado ou existirem peças em falta.

NÃO coloque a criança com roupa larga/grande, pois poderá impedir que as alças e a correia das virilhas apertem firmemente a criança.

Montagem do produto

Cuidados na instalação

NÃO instale este dispositivo avançado de retenção para crianças num veículo que possua apenas correias subabdominais. (1)

Este dispositivo avançado de retenção para crianças é apropriado para bancos de veículo com cintos de segurança retráteis de 3 pontos. (2) Se o veículo possuir pontos de fixação ISOFIX, é recomendado que encaixe o ISO Connector™ nos pontos de fixação ISOFIX (modo virado para a frente). (3)

NÃO utilize o produto virado para a retaguarda em lugares sentados onde esteja um airbag frontal ativo. (4) Poderão ocorrer ferimentos graves ou mesmo a morte. Consulte o manual do proprietário do veículo para obter mais informações.

NÃO instale este dispositivo avançado de retenção para crianças em bancos de veículo virados para o lado ou para a retaguarda em relação à direção de deslocação do veículo.

Consulte o manual do veículo para obter as posições de instalação recomendadas ou sugeridas.

Este dispositivo avançado de retenção deve ser instalado no banco traseiro do veículo. (4)

NÃO instale este produto no banco de um veículo em movimento.

Utilização do produto

Utilizar a proteção contra impactos laterais

- 1 - O dispositivo avançado de retenção para crianças é fornecido com uma proteção contra impactos laterais amovível. Esta proteção contra impactos laterais deve ser utilizada no lado da porta do veículo para oferecer a melhor proteção. Deve ser encaixada no exterior do dispositivo avançado de retenção para crianças. A instalação está ilustrada na fig. (5)
- 2 - Pressione o botão de desengate para remover a proteção contra impactos laterais. (6)

Ajuste da reclinção

- 1 - Pressione a pega de ajuste de reclinção e ajuste o dispositivo avançado de retenção para crianças para a posição adequada. (7)
- 2 - Os ângulos de reclinção são apresentados na ilustração (8).
 - ! O modo virado para a retaguarda disponibiliza dois ângulos de reclinção 5-6.
 - ! O modo virado para a frente disponibiliza quatro ângulos de reclinção 1-4.
Alinhe o indicador de reclinção na parte superior com os números na parte inferior para definir a posição de reclinção desejada.

Ajuste da altura do apoio de cabeça e das alças

Ajuste o apoio de cabeça e as alças para a altura adequada, de acordo com a altura da criança.

- ! Quando o dispositivo for utilizado virado para a retaguarda, as ranhuras para as alças deverão estar colocadas ao nível ou abaixo dos ombros da criança. (9)-1
Se as alças não estiverem à altura apropriada, a criança poderá ser projetada do dispositivo avançado de retenção para crianças em caso de acidente.
- ! Quando o dispositivo for utilizado virado para a frente, os guias das correias de ombro deverão estar colocadas ao nível ou logo acima dos ombros da criança. (9)-2

Aperte a alavanca de ajuste do apoio de cabeça (10)-1, e ajuste o apoio de cabeça para cima ou para baixo até que este encaixe numa das 10 posições.

As posições do apoio de cabeça são apresentadas na ilustração (10)-2.

- ! Ao elevar o apoio de cabeça (da 6ª à 9ª posição), as laterais do dispositivo de retenção para crianças movem-se automaticamente para fora para proporcionar mais espaço para os ombros.

Modo virado para a retaguarda

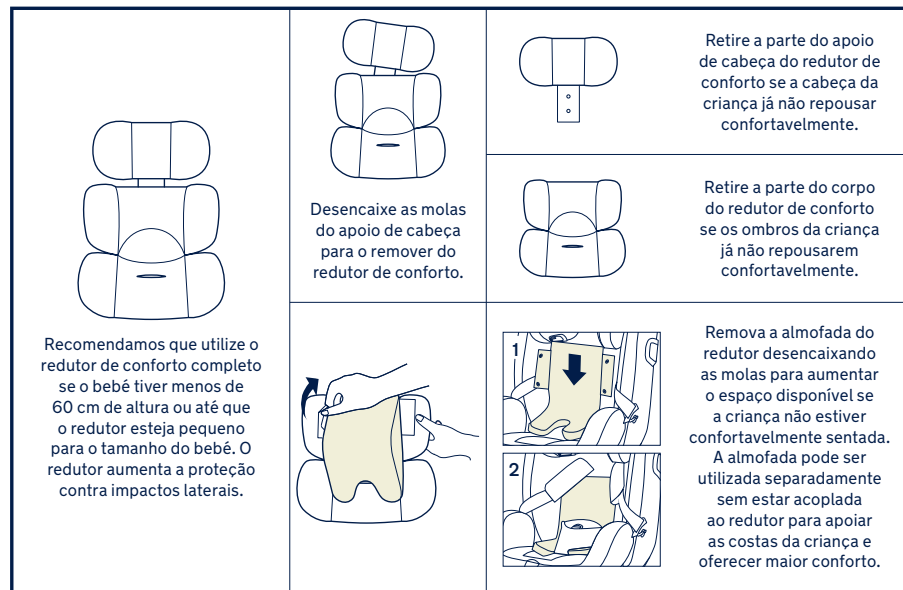
(Altura da criança 40-105 cm/Peso da criança ≤ 22 kg)

- ! Instale o dispositivo avançado de retenção para crianças no assento traseiro do veículo e, em seguida, coloque a criança no dispositivo.

Instalação em modo virado para a retaguarda

- ! Ajuste o dispositivo avançado de retenção para crianças para a posição de reclinção desejada (2 posições para o modo virado para a retaguarda). Alinhe o indicador de reclinção na parte superior com um dos números brancos na parte inferior.
 - ! Certifique-se de que as alças estão ajustadas para a altura adequada antes de instalar este dispositivo avançado de retenção para crianças.
 - ! Ao instalar e ajustar os cintos de segurança, certifique-se de que a correia subabdominal e a correia de ombro não estão torcidas e não irão impedir o funcionamento correto dos cintos de segurança.
- 1 - Passe a correia subabdominal pelas ranhuras para a correia subabdominal e, em seguida, encaixe a lingueta na fivela. (11)(12)
 - ! A correia subabdominal deve passar por baixo do redutor.
 - 2 - Passe a correia de ombro pelas duas ranhuras para o cinto voltadas para a retaguarda, na parte traseira do dispositivo avançado de retenção para crianças. (13)
 - ! Abra o bloqueio do cinto e introduza a correia de ombro. (14)
 - ! Certifique-se de que o bloqueio do cinto está completamente fechado quando não estiver a ser utilizado para evitar lesões ou danos nos estofos do veículo.
 - 3 - Pressione firmemente o dispositivo avançado de retenção para crianças e puxe pela correia de ombro para apertar firmemente o dispositivo avançado de retenção para crianças. (15)-1 (15)-2
 - ! Certifique-se de que fecha o bloqueio depois de se certificar de que o dispositivo avançado de retenção para crianças está firmemente apertado. (15)-3 (15)-4
 - ! Mantenha os dedos afastados ao fechar os ganchos, para evitar lesões.
 - ! O dispositivo avançado de retenção para crianças não pode ser utilizado se a fivela do cinto de segurança (conector fêmea da fivela) for demasiado longa para fixar o dispositivo de retenção em segurança.
 - ! Verifique novamente se o dispositivo avançado de retenção para crianças está firmemente instalado e que não se move no assento do veículo.
- A ilustração (16) apresenta um cinto de segurança devidamente instalado.
- ! Certifique-se de que a correia subabdominal passa através da ranhura para a correia subabdominal. (16)-1
 - ! Certifique-se de que a correia de ombro passa através da ranhura para o cinto voltada para a retaguarda. (16)-2
 - ! A lingueta do cinto está devidamente encaixada na fivela, conforme apresentado na ilustração (16)-3.

Prender a criança no dispositivo avançado de retenção para crianças usando o redutor



- 1 - Enquanto pressiona o botão de ajuste das correias, puxe completamente as alças do dispositivo avançado de retenção para crianças. (17)
 - 2 - Pressione o botão para abrir a fivela. (18)
 - 3 - Encoste as linguetas do cinto contra a área magnética no lado exterior do dispositivo de retenção para crianças para que as linguetas fiquem fixas no lugar. (19)
 - 4 - Encaixe a fivela.
O indicador verde indica que está devidamente encaixado. (20)
 - 5 - Puxe a cinta de ajuste na sua direção e ajuste-a para o comprimento adequado para garantir que a criança está segura. (21)
- ! Após a colocação da criança, verifique se as alças se encontram à altura apropriada.
- ! Mantenha a criança segura com as correias e devidamente apertada eliminando quaisquer folgas.

Modo virado para a frente

(Altura da criança 100-145 cm)

Instalação em modo virado para a frente

- ! Quando estiver a utilizar o produto no modo virado para a frente, remova o redutor e coloque as alças, a fivela e as linguetas nos compartimentos de armazenamento das alças.
- ! Ajuste as alças para o comprimento adequado antes de armazenar as alças e a fivela nos seus compartimentos de armazenamento.
- ! Ajuste o dispositivo avançado de retenção para crianças para a posição de reclinção desejada. (4 posições no modo virado para a frente). Alinhe o indicador de reclinção na parte superior com um dos números brancos na parte inferior.

! Quando estiver a utilizar e a ajustar o cinto de segurança, certifique-se de que não existem torções no cinto que impeçam a criança de estar corretamente presa.

- 1 - Pressione o botão para soltar a fivela, conforme apresentado na ilustração (18).
- 2 - Remova a correia das virilhas conforme apresentado na ilustração (37) e, em seguida, remova o redutor.
! Quando instalar o dispositivo de retenção no modo virado para a frente, não utilize o redutor.
- 3 - Desaperte as molas. (22)-1
- 4 - Levante a aba superior e puxe a aba inferior para a frente e, em seguida, armazene as alças nos seus compartimentos de armazenamento. (22)-2
- 5 - Puxe a fivela para a parte traseira do tecido acolchoado e, em seguida, armazene a fivela e as linguetas nos respetivos compartimentos de armazenamento. (22)-3 (22)-4
- 6 - Aperte novamente as molas para recuperar a capa de tecido acolchoado. A ilustração (23) apresenta a capa de tecido acolchoado recuperada.

Instalar os encaixes ISO Connector™

- 1 - Insira os guias de encaixe ISO Connector™ para ajudar na instalação. Os guias do encaixe ISO Connector™ podem proteger a superfície do banco do veículo contra roturas. (24)
- 2 - Estique os encaixes ISO Connector™ pressionando o botão de ajuste (25) e puxando os encaixes. (26)
! Certifique-se de que ambos os encaixes ISO Connector™ estão corretamente encaixados nos pontos de fixação ISOFIX. A cor dos indicadores de ambos os encaixes ISO Connector™ deverá ser completamente verde. (27)
! Os encaixes ISO Connector™ devem estar colocados e bloqueados nos pontos de fixação ISOFIX.
! Verifique se o dispositivo avançado de retenção para crianças está firmemente instalado puxando ambos os encaixes ISO Connector™.
- 3 - Pressione o botão de ajuste ISO Connector™ e empurre o dispositivo avançado de retenção para trás contra o banco do veículo até que esteja apertado. (28)

Remover e armazenar os encaixes ISO Connector™

- 1 - Para remover do veículo pressione o botão de ajuste do ISO Connector™ (29)-1 e afaste a base do assento. (29)-2
- 2 - Para remover os conectores do ISO dos pontos de fixação do veículo, mantenha pressionado o botão frontal (30-1), enquanto pressiona o botão traseiro (30-2).
- 3 - Para retrair os encaixes do ISO Connector™ para a base, pressione o botão de ajuste do ISO Connector™. (31)

Colocar e prender a criança no dispositivo de retenção

- 1 - Verifique se os guias da correia de ombro se encontram à altura apropriada quando colocar a criança no dispositivo avançado de retenção.
- 2 - Posicione a correia de ombro através do guia da correia de ombro e passe a correia subabdominal pelas ranhuras para a correia subabdominal do veículo. Encaixe a fivela e puxe o cinto de segurança para garantir que está preso. (32)(33)
! A correia de ombro deve passar pelo guia da correia de ombro.
! A correia subabdominal deve passar pelas ranhuras para a correia subabdominal.
! NUNCA utilize um cinto de segurança com dois pontos de fixação (correia subabdominal apenas) para prender a criança.
! NÃO utilize a correia de ombro solta ou posicionada por baixo do braço.
! NÃO utilize a correia de ombro atrás das costas da criança.

! **NÃO** deixe que a criança deslize pelo dispositivo avançado de retenção para crianças para evitar o risco de estrangulamento.

Com cinto de segurança do veículo (3 pontos de fixação) e ISO Connector™

- 1 - A instalação dos encaixes ISO Connector™ está ilustrada na fig. (24) - (28).
- 2 - Coloque a criança no dispositivo avançado de retenção e verifique se os guias das alças se encontram à altura apropriada.
- 3 - Posicione a correia de ombro através do guia da correia de ombro e passe a correia subabdominal pelas ranhuras para a correia subabdominal do veículo. Encaixe a fivela e puxe o cinto de segurança para garantir que está preso. (32)(33)
- 4 - A ilustração (34) apresenta a instalação correta do cinto de segurança de 3 pontos de fixação e do encaixe ISO Connector™.
 - ! Certifique-se de que ambos os encaixes ISO Connector™ estão corretamente nos pontos de fixação ISOFIX do veículo. A cor dos indicadores de ambos os encaixes ISO Connector™ deverá ser completamente verde. (34)-1
 - ! Verifique se o dispositivo avançado de retenção para crianças está firmemente instalado puxando ambos os encaixes ISO Connector™.
 - ! A correia de ombro deve passar pelo guia da correia de ombro. (34)-3
 - ! A correia subabdominal deve passar pelos guias para a correia subabdominal.
 - ! O dispositivo avançado de retenção para crianças não pode ser utilizado se a fivela do cinto de segurança (conector fêmea da fivela) for demasiado longa para fixar o dispositivo de retenção em segurança. (34)-2
 - ! **NUNCA** utilize um cinto de segurança com dois pontos de fixação (correia subabdominal apenas) para prender a criança.
 - ! **NÃO** utilize a correia de ombro solta ou posicionada por baixo do braço.
 - ! **NÃO** utilize a correia de ombro atrás das costas da criança.
 - ! **NÃO** deixe que a criança deslize pelo dispositivo avançado de retenção para crianças para evitar o risco de estrangulamento.

Retirar e montar a capa de tecido acolchoado

Ver imagens (35) - (43)

Para instalar a capa de tecido acolchoado, inverta os passos acima.

Limpeza e manutenção

Armazene o produto fora do alcance da criança.

Lave a capa de tecido acolchoado com água fria a uma temperatura inferior a 30 °C.

NÃO engome a capa de tecido.

NÃO utilize lixívia nem lave a seco a capa de tecido acolchoado.

NÃO utilize detergentes neutros não diluídos, gasolina ou outros solventes orgânicos para lavar o dispositivo avançado de retenção para crianças. Poderá danificar o dispositivo avançado de retenção.

NÃO torça a capa de tecido acolchoado para a secar rapidamente. Poderá enrugar as capas de tecido acolchoado.

Deixe secar as capas de tecido acolchoado num local à sombra.

Retire o dispositivo avançado de retenção para crianças do veículo se não pretende utilizá-lo durante um longo período.

NUNA International B.V. Nuna e todos os logótipos associados são marcas comerciais.